



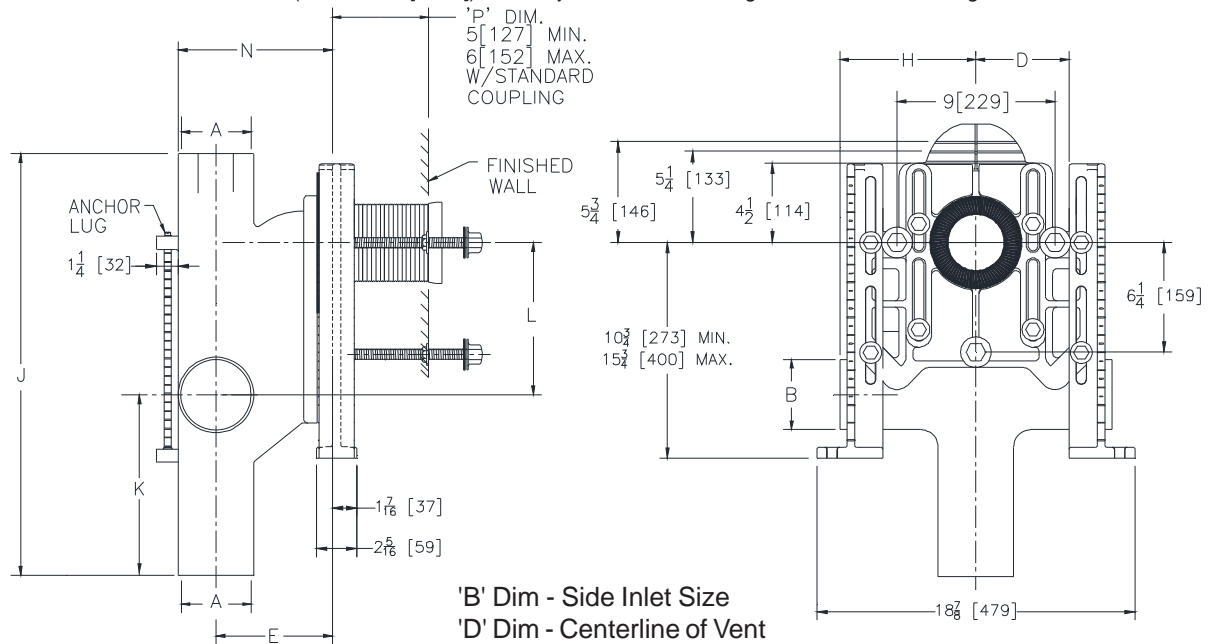
Z1204-2N-B

ADJUSTABLE VERTICAL BLOWOUT-NO-HUB WITH SIDE INLETS

SPECIFICATION SHEET

TAG _____

Dimensional Data (inches and [mm]) are Subject to Manufacturing Tolerances and Change Without Notice



'B' Dim - Side Inlet Size
'D' Dim - Centerline of Vent

NOTE:

1. Min. 'P' Dim. Obtainable = 2 [51] with cut standard coupling.
2. Feet bolted to floor using min. 1/2 dia. bolts and back slots on carrier feet.
3. Back anchor feet required for secure installation.

Product No.	Dimensions in Inches [mm]										Approx. Wt. Lbs [kg]
	A	B	D	E	H	J	K	L		N	
								Min.	Max.		
Z1204-2N-B	4 [102]	2 [51]	5 [127]	6-5/8 [168]	5-1/2 [140]	24 [610]	15-1/2 [394]	3-1/16 [78]	7-1/16 [179]	8-13/16 [224]	67 [30]

ENGINEERING SPECIFICATION: ZURN Z1204-2N()-B

Adjustable, vertical blowout water closet "Rigid System" with 4" [102mm] size No-Hub connections. Complete with Dura-Coated cast iron right or left hand fitting, with 2" [51mm] vent, adjustable gasketed face plate, universal floor mounted foot supports, corrosion resistant adjustable ABS coupling with integral test cap, fixture bolts, trim, stud protectors, rear anchor tie down, and bonded "Neo-Seal" gasket.

PRODUCT/DEFINITION

- _____ Z1204-2N4-B 4 [102] No-Hub Blowout Left Hand Inlet
- _____ Z1204-2N43-B 4 [102] No-Hub Blowout Right Hand Inlet

PREFIXES

- _____ Z D.C.C.I. System with Zurn "ZZ" Adjustable Coupling*
- _____ ZQ D.C.C.I. System with NPT Faceplate, Non-Adjustable Coupling

SUFFIXES

- _____ -A Auxiliary Support Assembly (for 'P' Dim. Greater Than 18 [457])
- _____ -CC Corrosion Resistant Cast Iron Coupling (6 - 12 [152 - 305])
- _____ -CL Coupling Length Other Than Standard 6 [152] (Specify Length Required)
- _____ -M Auxiliary Foot Support (for 'P' Dim. 10 - 18 [254 - 457])
- _____ -PF Pre-Fab Foot
- _____ -PS Pre-Fab Slotted Foot
- _____ -RYK Unistrut Pre-Fab Foot
- _____ -VL Left Hand Vent Connection
- _____ -VP Vandal Proof Trim
- _____ -X3 3 [76] Carrier Foot Extension (See Z1200-FT-EXT-3)
- _____ -X4 4 [102] Carrier Foot Extension (See Z1200-FT-EXT-4)
- _____ -45 Finishing Frame for Blowout System (See Z1200-FINFRAME-B)
- _____ -50 Flush Valve Supply Support for W.C. (See Z1200-SPLY-SPRT-WC)

* Regularly furnished unless otherwise specified.