

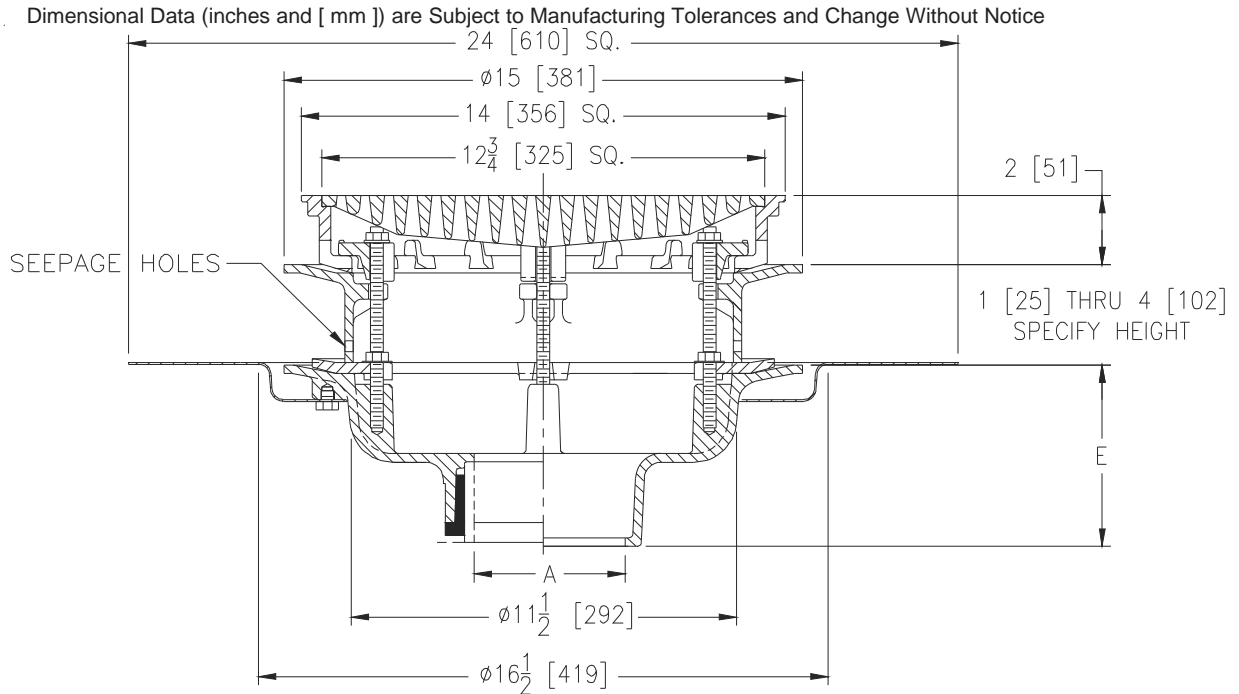


Z150-DP-E-SC

14 [356] SQUARE TOP PROM-DECK DRAIN W/ STATIC EXTENSION, SECONDARY CLAMPING COLLAR, HEEL-PROOF GRATE, AND TOP-SET® DECK PLATE

SPECIFICATION SHEET

TAG _____



A Pipe Size in [mm]	Approx wt. lbs [kg]	Grate Open Area in ² [cm ²]
2,3,4 [51,76,102]	63 [29]	44 [284]
5,6 [127,152]		
8 [203]	64 [29]	

ENGINEERING SPECIFICATION: ZURN Z150-DP-E-SC
 14 [356] Square Top Prom-Deck drain, Dura-Coated cast iron body with rotatable square promenade frame with seepage openings, frame clamps, secondary clamping collar, static extension w/ seepage holes, heavy-duty heel proof grate, and top-set® deck plate.

OPTIONS (Check/specify appropriate options)

PIPE SIZE

- 2,3,4,5,6,8 [51,76,102,127,152,203]
- 2,3,4,5,6,8 [51,76,102,127,152,203]
- 2,3,4,5,6,8 [51,76,102,127,152,203]
- 2,3,4 [51,76,102]

(Specify size/type) **OUTLET**

- ___ IC Inside Caulk
- ___ IP Threaded
- ___ NH No-Hub
- ___ NL Neo-Loc

E BODY HT. DIM.

- 5-1/4 [133]
- 3-3/4 [95]
- 5-1/4 [133]
- 4-9/16 [116]

PREFIXES

- ___ Z D.C.C.I. Body with Top*
- ___ ZB D.C.C.I. Body with Polished Bronze Top (Add 3/16 [5] to 2 [51] Dim & 3/8 [10] to 14 [356] Dim.)
- ___ ZN D.C.C.I. Body with Polished Nickel Bronze Top (Add 3/16 [5] to 2 [51] Dim. & 3/8 [10] to 14 [356] Dim.)

SUFFIXES

- ___ -AR Acid Resistant Epoxy Coated
- ___ -DG Duresist Grate
- ___ -DX Dex-o-tex Flange (ZB and ZN Only)
- ___ -EA Adjustable Extension Assembly
2-1/8 [54] thru 3-1/2 [89]
- ___ -G Galvanized Cast Iron
- ___ -HF High Flow Ductile Iron Grate
(Open Area = 61 in² [394 cm²])
- ___ -S Secondary Strainer
- ___ -TC Neo-Loc Test Cap Gasket
(2,3,4 [51,76,102] NL Bottom Outlet Only)
- ___ -TS Top Secured with Slotted Screws
- ___ -VP Vandal Proof Secured Top
- ___ -XJ Vertical Expansion Joint (See Z190)
- ___ -Y Sediment Bucket
- ___ -85 Stainless Steel Perforated Extension
- ___ -90 90° Threaded Side Outlet Body
(2 [51] thru 6 [152])

* Regularly furnished unless otherwise specified.