



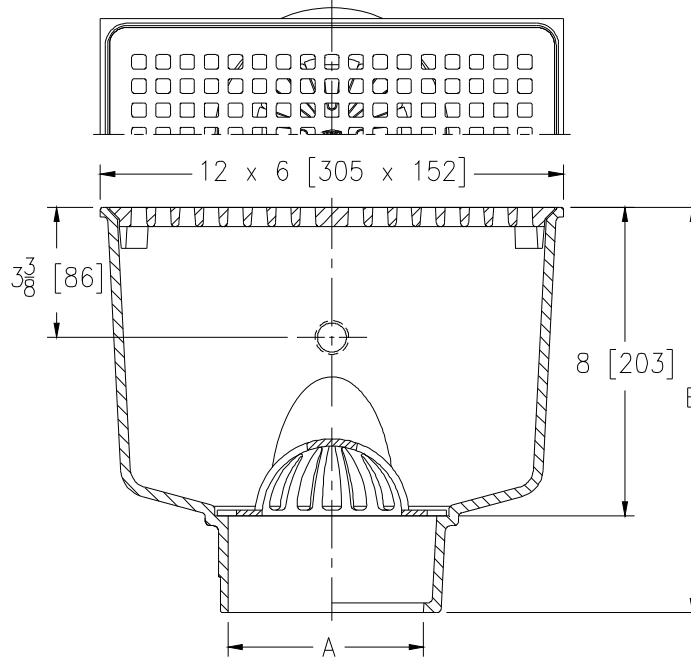
# Z1940-P

SPECIFICATION SHEET

## 12 X 6 [305 X 152] A.R.C. SANI-FLOR RECEPTOR 8 [203] SUMP DEPTH W/ TRAP PRIMER CONNECTION

TAG \_\_\_\_\_

Dimensional Data (inches and [ mm ]) are Subject to Manufacturing Tolerances and Change Without Notice



A Pipe Size In.	Approx Wt. Lbs. [kg]	Grate Open Area Sq. In. [cm <sup>2</sup> ]
2-3-4 [51-76-102]	28 [13]	17 [110]

### ENGINEERING SPECIFICATION: ZURN Z1940-P

Sani-Flor Receptor 12 x 6 x 8 [305 x 152 x 203] deep cast iron body with 1/2 [13] trap primer connection, rectangular square hole light-duty grate, with white acid resisting epoxy coated interior and top, complete with white ABS anti-splash interior bottom dome strainer.

**OPTIONS** (Check/specify appropriate options)

#### PIPE SIZE

2-3-4 [51-76-102]  
2-3-4 [51-76-102]  
2-3-4 [51-76-102]

#### OUTLET (Specify size/type)

\_\_\_ IC Inside Caulk  
\_\_\_ NH No-Hub  
\_\_\_ NL Neo-Loc

#### 'E' BODY HT. DIMENSION

Z	ZN
10-1/2 [267]	10-7/8 [276]
10-1/2 [267]	10-7/8 [276]
10 [254]	10-3/8 [264]

#### PREFIXES

\_\_\_ Z Cast Iron Body with White A.R.C. Interior\*  
\_\_\_ ZN Cast Iron Body with White A.R.C. Interior, 13 x 7 [330 x 178] N.B. Frame and Full Grate with 3/8 [10] Square Openings+

+Add 1 [25] to 12 [305] and 6 [152] Dimensions

#### SUFFIXES

___ -K	Anchor Flange	___ -8	Grate w/ 8-7/8 x 3-5/8 x 3-3/4 [225 x 92 x 95] High Oval Funnel
___ -KC	Anchor Flange with Seepage Holes and Clamp Collar	___ -11	Vandal-Proof Secured Grate (ZN Only)
___ -LD	(Less) Bottom Dome Strainer	___ -12	Depressed Aluminum Grate (ZN Only)
___ -S	Secondary Strainer	___ -15	Solid Loose Set Cover
___ -TC	Neo-Loc Test Cap Gasket (2-4 [51-102] NL Bottom Outlet Only)	___ -16	1/2 Solid Loose Set Cover
___ -1	(Less) Grate	___ -17	3/4 Solid Loose Set Cover
___ -2	1/2 Grate	___ -23	Aluminum Bucket
___ -3	3/4 Grate	___ -25	White A.R.C. Bucket
___ -4	Full Grate with Square Center Opening	___ -31	Stainless Steel Mesh Liner for Bucket
___ -5	Grate w/ 4 [102] Dia. x 3-3/4 [95] High Funnel	___ -32	Aluminum Dome Strainer
___ -6	Grate w/ 6 [102] Dia. x 6 [152] High Funnel	___ -33	White A.R.C. Anti-Splash Bottom Dome Strainer
___ -7	Grate w/ 6-3/4 x 3 x 1 [171 x 76 x 25] High Oval Funnel		

\*REGULARLY FURNISHED UNLESS OTHERWISE SPECIFIED

REV. A      DATE: 8/4/11      C.N. NO. 121844

DWG. NO. 60095

PRODUCT NO. Z1940-P

ZURN INDUSTRIES, LLC. ♦ SPECIFICATION DRAINAGE OPERATION ♦ 1801 Pittsburgh Ave. ♦ Erie, PA 16514

Phone: 814/455-0921 ♦ Fax: 814/454-7929 ♦ World Wide Web: www.zurn.com

In Canada: ZURN INDUSTRIES LIMITED ♦ 3544 Nashua Drive ♦ Mississauga, Ontario L4V1L2 ♦ Phone: 905/405-8272 Fax: 905/405-1292