



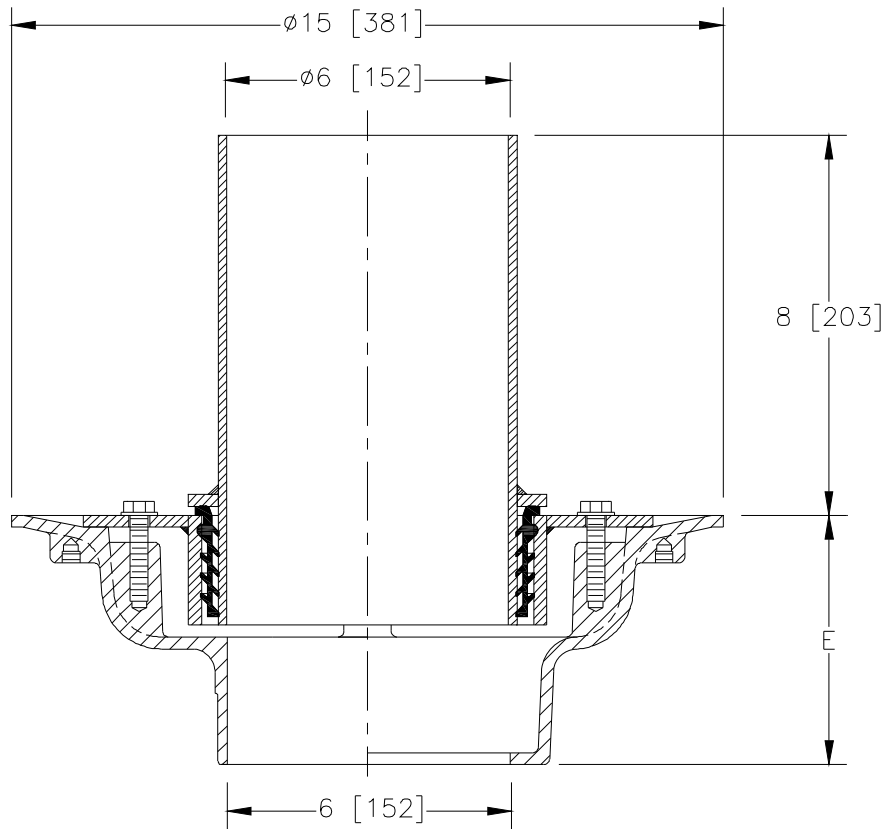
Z100-166

15 [381] DIAMETER PIT OVERFLOW DRAIN

SPECIFICATION SHEET

TAG _____

Dimensional Data (inches and [mm]) are Subject to Manufacturing Tolerances and Change Without Notice



A - Pipe Size Inches [mm]	Approx. Wt. Lbs. [kg]	Standpipe Open Area Sq. In. [cm ²]
6 [152]	27 [12]	28 [181]

ENGINEERING SPECIFICATION: ZURN Z100-166

15" [381mm] Diameter pit overflow drain. Dura-Coated cast iron body with clamp collar, gasket, and 8" [203mm] high removable standpipe.

OPTIONS (Check/specify appropriate options)

PIPE SIZE

- 6 [152]
- 6 [152]
- 6 [152]

(Specify type) OUTLET

- _____ IC Inside Caulk
- _____ IP Threaded
- _____ NH No-Hub

'E' BODY HT. DIM.

- 5-1/4 [133]
- 3-3/4 [95]
- 5-1/4 [133]

PREFIXES

- ___ Z D.C.C.I. Body with Standpipe*

SUFFIXES

- ___ -AR Acid Resistant Epoxy Coated Finish
- ___ -G Galvanized Cast Iron

* Regularly furnished unless otherwise specified.