



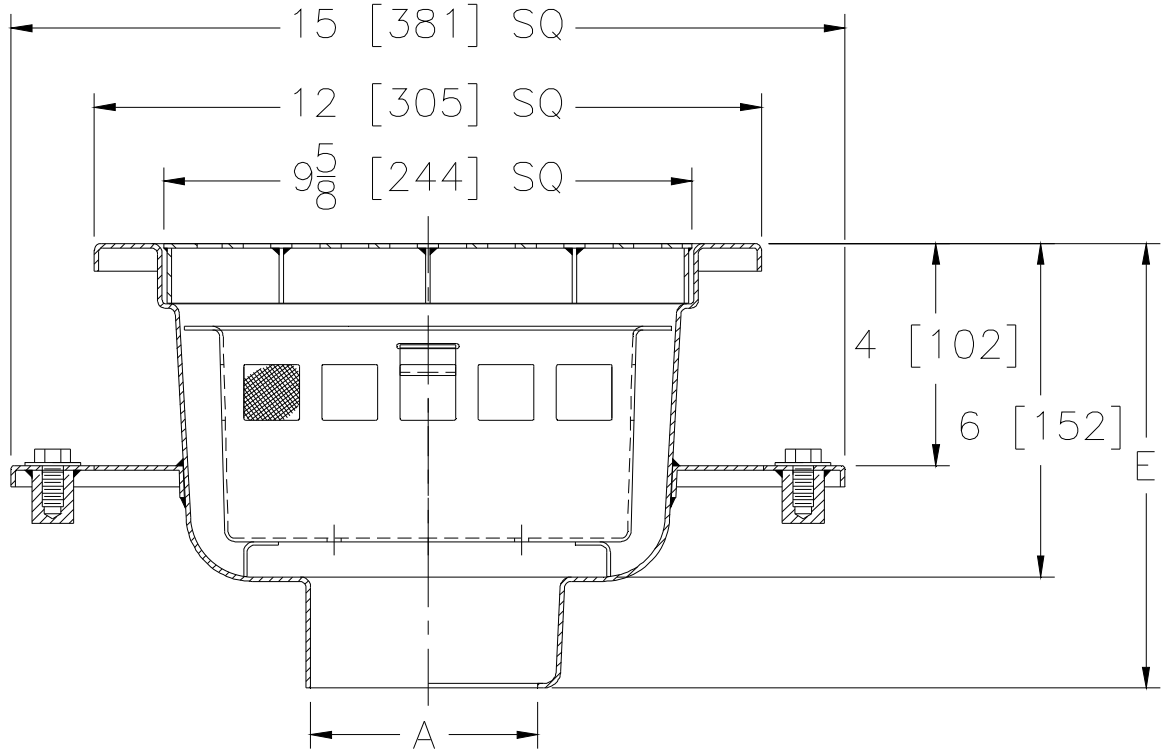
Z1750-154

12 X 12 [305 x 305] SANI-FLOR RECEPTOR 6 [152]
SUMP DEPTH W/ ANCHOR FLANGE, CLAMP COLLAR,
HALF GRATE, & SEDIMENT BUCKET W/ LINER

SPECIFICATION SHEET

TAG _____

Dimensional Data (inches and [mm]) are Subject to Manufacturing Tolerances and Change Without Notice



A Pipe Size	Approx. Wt. Lbs. [kg]	Grate Open Area Sq. In. [cm ²]
2-3-4 [51-76-102]	15 [7]	46 [297]
6 [152]	17 [8]	

ENGINEERING SPECIFICATION: ZURN Z1750-154
12 x 12 x 6 [305 x 305 x 152] deep, 16 gage, All Type 304 (CF8) Stainless Steel light duty Sani-Flor receptor with seepage pan with seepage holes and clamp collar, non-tilt, loose set half grate with 1/2 [13] square openings and sediment bucket with mesh liner.

OPTIONS (Check/specify appropriate options)

PIPE SIZE

- 2 thru 4 [51 thru 102]
- 2 [51]
- 3 [76]
- 4 [102]
- 2 thru 4, 6 [51 thru 102, 152]
- 2 thru 4 [51 thru 102]

(Specify size/type) **OUTLET**

- ___ IC Inside Caulk
- ___ IP Threaded
- ___ IP Threaded
- ___ IP Threaded
- ___ NH No-Hub
- ___ NL Neo-Loc

'E' BODY HT. DIM.

- 8-9/16 [214]
- 7-5/16 [186]
- 7-9/16 [198]
- 8-1/16 [205]
- 8-1/16 [205]
- 7-13/16 [198]

PREFIXES

- ___ Z Type 304 (CF8) Stainless Steel Body*
- ___ ZM Type 316 (CF8M) Stainless Steel

SUFFIXES

- ___ -DX Dex-o-tex Flange
- ___ -LSH (Less) Seepage Holes
- ___ -P 1/2 [13] Trap Primer Connection
- ___ -TC Neo-Loc Test Cap Gasket
(2-4 [51-102] NL Bottom Outlet Only)
- ___ -VP Vandal-Proof Secured Top

REV.	DATE: 01/07/13	C.N. NO. 128641
DWG. NO. 311181	PRODUCT NO. Z1750-154	

*REGULARLY FURNISHED UNLESS OTHERWISE SPECIFIED

ZURN INDUSTRIES, LLC. ♦ SPECIFICATION DRAINAGE OPERATION ♦ 1801 Pittsburgh Ave. ♦ Erie, PA 16514

Phone: 814/455-0921 ♦ Fax: 814/454-7929 ♦ World Wide Web: www.zurn.com

In Canada: ZURN INDUSTRIES LIMITED ♦ 3544 Nashua Drive ♦ Mississauga, Ontario L4V1L2 ♦ Phone: 905/405-8272 Fax: 905/405-1292