



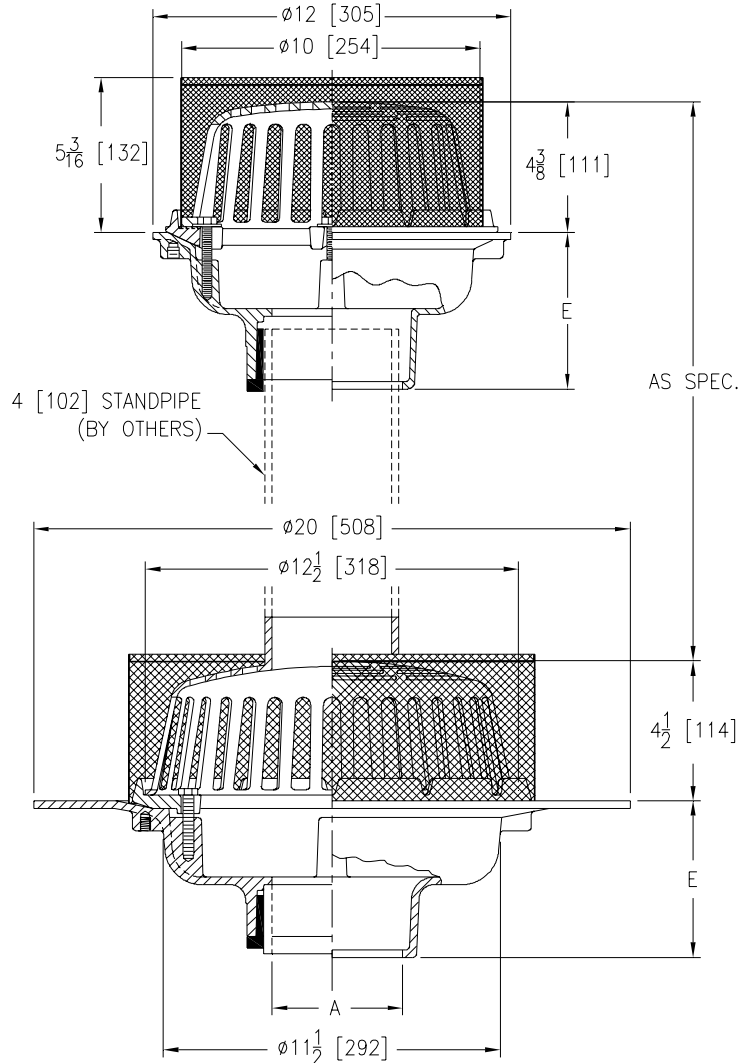
Z100-194

SPECIFICATION SHEET

20 [508] DIAMETER MAIN ROOF DRAIN W/ STANDPIPE AND Z121 UPPER BODY ASSEMBLY

TAG _____

Dimensional Data (inches and [mm]) are Subject to Manufacturing Tolerances and Change Without Notice



| A Pipe Size In. | Approx. Wt. Lbs. [kg] | Upper Dome Open Area Sq. In. [cm ²] |
|--------------------|-----------------------------|---|
| 3,4 [76,102] | 48 [22] | 78 [503] |
| 5,6 [127,152] | 49 [22] | |
| 8 [203] | 50 [23] | |

ENGINEERING SPECIFICATION: ZURNZ100-194

20 [508] Diameter roof drain. Dura-Coated cast iron body with combination membrane flashing clamp/gravel guard, low silhouette cast iron dome with bronze mesh screen, and no-hub standpipe. Upper assembly is 12 [305] diameter roof drain. Dura-coated cast iron body with combination membrane flashing clamp/gravel guard and low silhouette cast iron dome with bronze mesh screen.

OPTIONS (Check/specify appropriate options)

PIPE SIZE

3 thru 6 [76 thru 152]
3, 4 [76, 102]
3 thru 6,8 [76 thru 152,203]

(Specify size/type) OUTLET

_____ IC Inside Caulk
_____ IP Threaded
_____ NH No-Hub

E BODY HT. DIM.

5 1/4 [133]
5 1/4 [133]
5 1/4 [133]

PREFIXES

_____ ZC D.C.C.I. Body with Cast Iron Dome*

SUFFIXES

_____ -AR Acid Resistant Epoxy Coated
_____ -C Underdeck Clamp
_____ -G Galvanized Cast Iron
_____ -GD Galvanized Cast Iron Dome (ZC Only)
_____ -SC Secondary Clamp Collar
_____ -VP Vandal-Proof Secured Top

_____ -84 Stainless Steel Perforated Gravel Guard (Upper Body)
_____ -89 2 [51] High External Water Dam (Upper Body)

*REGULARLY FURNISHED UNLESS OTHERWISE SPECIFIED

| | | |
|---------------------------------------|---------------|----------------|
| REV. | DATE: 9/17/08 | C.N. NO. 99122 |
| DWG. NO. P-15602 PRODUCT NO. Z100-194 | | |

ZURN INDUSTRIES, LLC ♦ SPECIFICATION DRAINAGE OPERATION ♦ 1801 Pittsburgh Ave. ♦ Erie, PA 16514

Phone: 814/455-0921 ♦ Fax: 814/454-7929 ♦ World Wide Web: www.zurn.com

In Canada: ZURN INDUSTRIES LIMITED ♦ 3544 Nashua Drive ♦ Mississauga, Ontario L4V1L2 ♦ Phone: 905/405-8272 Fax: 905/405-1292