



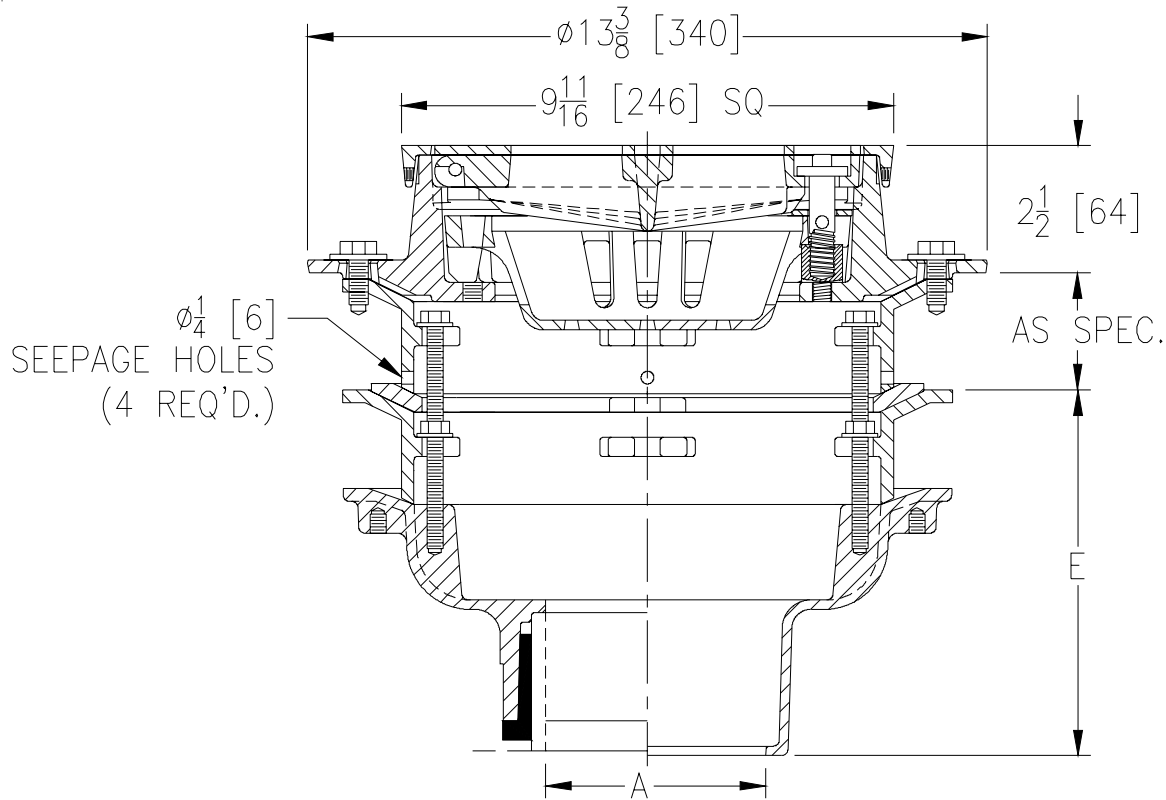
Z513-77

SPECIFICATION SHEET

9 11/16 SQUARE HINGED HEAVY-DUTY DRAIN W/ EXTENSION

TAG _____

Dimensional Data (inches and [mm]) are Subject to Manufacturing Tolerances and Change Without Notice



A- Pipe Size In.	Approx. Wt. Lbs. [kg]	Grate Open Area Sq. In. [cm ²]
2-3-4-6 [51-76-102-152]	57 [26]	20 [129]

ENGINEERING SPECIFICATION: ZURN Z513-77

9 11/16 [246] Square top drain, Dura-Coated cast iron deep sump body with bottom outlet, membrane clamp, extension sleeve with seepage holes and combination flashing clamp and frame for heavy-duty hinged locking slotted grate with nickel bronze veneer, and suspended sediment bucket.

OPTIONS (Check/specify appropriate options)

PIPE SIZE

- 2-3-4-6 [51-76-102-152]
- 2-3-4-6 [51-76-102-152]
- 2-3-4 [51-76-102]
- 2-3-4 [51-76-102]

(Specify size/type) **OUTLET**

- ___ IC Inside Caulk
- ___ IP Threaded
- ___ NH No-Hub
- ___ NL Neo-Loc

E BODY HT. DIM.

- 7 15/16 [204]
- 6 7/16 [163]
- 7 15/16 [204]
- 7 5/16 [186]

PREFIXES

- ___ ZN D.C.C.I. Body with Polished Nickel Bronze Top*

SUFFIXES

- ___ -AR Acid Resisting Epoxy Coated Cast Iron
- ___ -DG Duresist Grate
- ___ -G Galvanized Cast Iron
- ___ -LY (Less) Sediment Bucket
- ___ -P Trap Primer Connection
- ___ -SS Stainless Mesh Liner for Bucket
- ___ -TC Neo-Loc Test Cap Gasket (2 - 4 [51 - 102] NL Outlet only)
- ___ -VP Vandal-Proof Secured Top

REV.	DATE: 9/17/04	C.N. NO. 92563
DWG. NO. P-15081 PRODUCT NO. Z513-77		

*REGULARLY FURNISHED UNLESS OTHERWISE SPECIFIED