

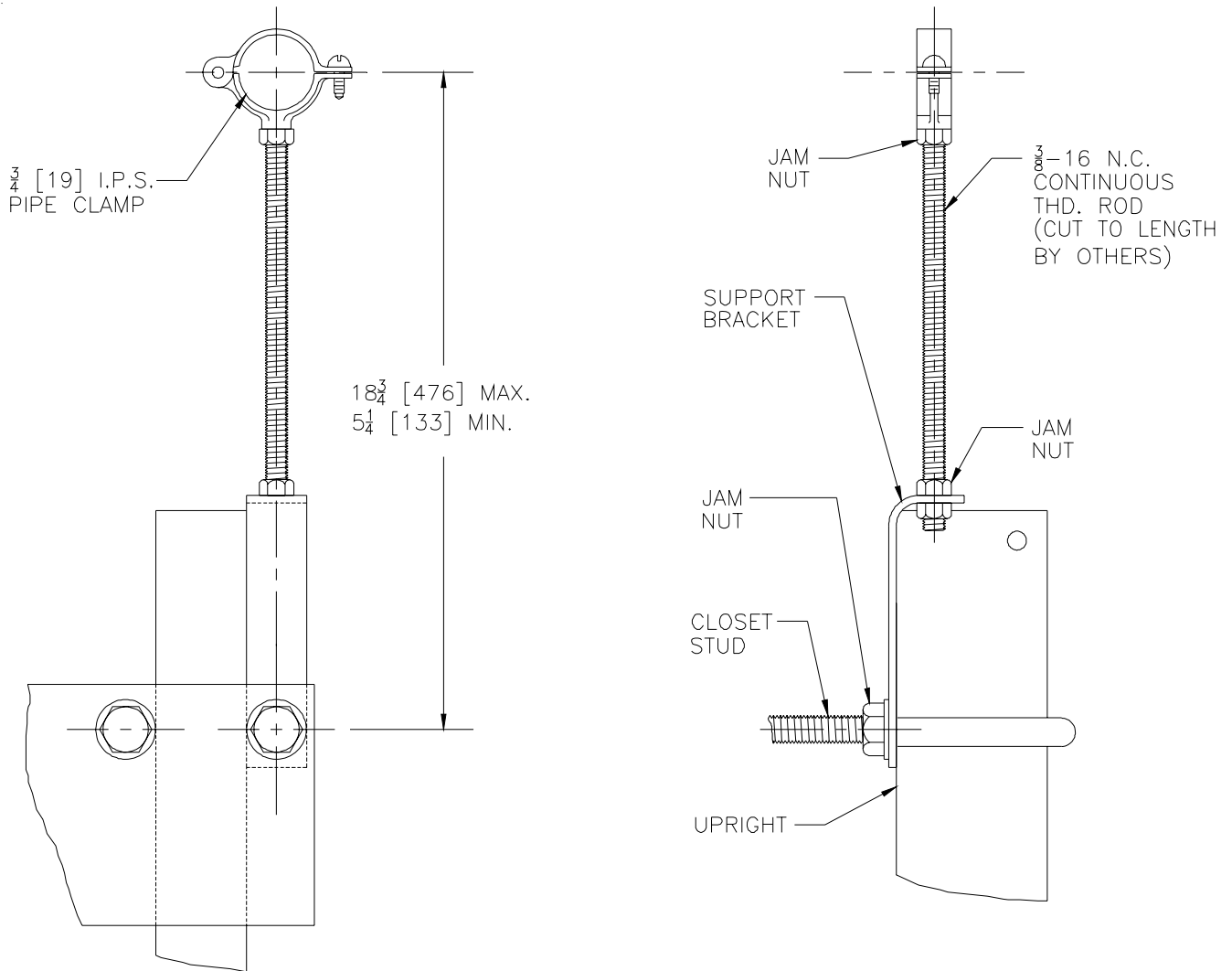


# Z1210-58 FLUSH VALVE SUPPLY SUPPORT FOR URINALS

SPECIFICATION SHEET

TAG \_\_\_\_\_

Dimensional Data (inches and [ mm ]) are Subject to Manufacturing Tolerances and Change Without Notice



**ENGINEERING SPECIFICATION:** ZURNZ1210-58  
Flush Valve Supply Support for Urinals.

REV. B	DATE: 11/18/10	C.N.NO. 120484
DWG NO. 51860	PRODUCTNO. Z1210-58	