



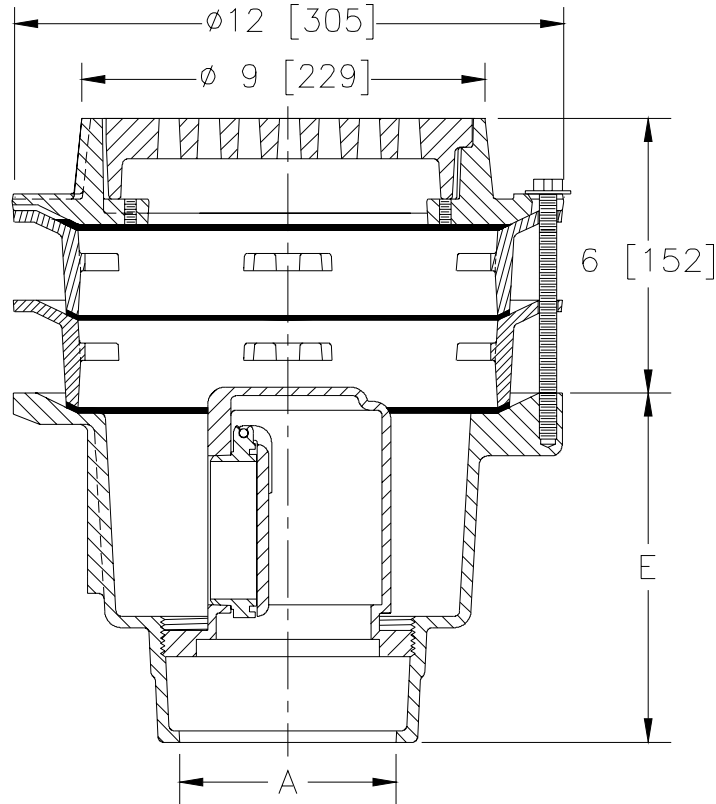
Z511-81

9 [229] HEAVY DUTY DRAIN W/ TWO EXTENSION FRAMES & BACKWATER VALVE

SPECIFICATION SHEET

TAG _____

Dimensional Data (inches and [mm]) are Subject to Manufacturing Tolerances and Change Without Notice



A- Pipe Size In.	Approx. Wt. Lbs. [kg]	Grate Open Area Sq. In. [cm ²]
2-3-4 [50-75-100]	49 [22]	18 [116]

ENGINEERING SPECIFICATION: ZURN Z511-81

9 [229] Diameter top drain, Dura-Coated cast iron deep sump body with bottom outlet, two 2 [51] extension frames, seepage pan and combination membrane flashing clamp and frame for heavy duty cast iron deep flange grate with backwater valve.

OPTIONS (Check/specify appropriate options)

PIPE SIZE

2, 3, 4 [50, 75, 100]
2, 3, 4 [50, 75, 100]

(Specify size/type) **OUTLET**

_____ IC Inside Caulk
_____ IG Inside Caulk w/Sealtrol Gskt.

'E' BODY HT. DIM.

7 1/2 [190]
7 1/2 [190]

PREFIXES

_____ Z D.C.C.I. Body and Top*
_____ ZB D.C.C.I. Body w/Polished Bronze Top
_____ ZN D.C.C.I. Body w/Polished Nickel Bronze Top

SUFFIXES

<p>_____ -AR Acid Resisting Epoxy Coated Cast Iron _____ -DG Duresist Grate _____ -G Galvanized Cast Iron _____ -J Auxiliary Inlet Connection (Specify 1 1/2 [38] or 2 [50], Number & Location) _____ -P TrapPrimerConnection _____ -SC Solid Cover _____ -SG Solid Gasketed Cover</p>	<p>_____ -TS Top Secured with Slotted Screws _____ -VP Vandal-Proof Secured Top _____ -Y Sediment Bucket</p>
--	--

*REGULARLY FURNISHED UNLESS OTHERWISE SPECIFIED

REV.	DATE: 12/15/03	C.N. NO. 91787
DWG. NO. P-15022 PRODUCT NO. Z511-81		