



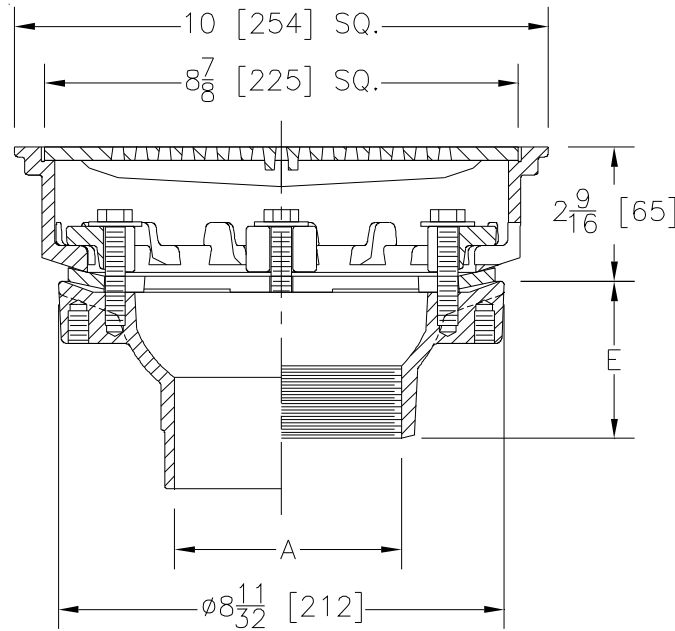
# Z158-SC

10 [254] SQUARE TOP PROM-DECK DRAIN W/  
SECONDARY CLAMP COLLAR, HEEL PROOF GRATE  
AND ROTATABLE FRAME

SPECIFICATION SHEET

TAG \_\_\_\_\_

Dimensional Data (inches and [ mm ]) are Subject to Manufacturing Tolerances and Change Without Notice



A Pipe Size In [mm]	Approx. Wt. Lbs. [kg]	Grate Open Area Sq. In. [cm <sup>2</sup> ]
2,3,4 [51,76,102]	20 [9]	21 [136]

**ENGINEERING SPECIFICATION: ZURN Z158-SC**

10" [254mm] Square top Prom-Deck drain, Dura-Coated cast iron body with rotatable square promenade frame with seepage openings, frame clamps, light duty heel-proof grate and aluminum secondary clamp collar.

**OPTIONS** (Check/specify appropriate options)

PIPE SIZE	(Specify size/type) OUTLET	'E' BODY HT. DIM.
3,4 [76,102]	___ IC Inside Caulk	3-7/8 [98]
2 [51]	___ IP Threaded	2-7/16 [62]
3 [76]	___ IP Threaded	2-3/4 [70]
4 [102]	___ IP Threaded	3 [76]
2,3,4 [51,76,102]	___ NH No-Hub	3-31/32 [101]
2,3,4 [51,76,102]	___ NL Neo-Loc	3-13/16 [97]

**PREFIXES**

- \_\_\_ Z D.C.C.I. Body with Top\*
- \_\_\_ ZB D.C.C.I. Body with Polished Bronze Top (Add 3/16 [5] to 2-9/16 [65] Dim. & 5/8 [16] to 10 [254] Dim.)
- \_\_\_ ZN D.C.C.I. Body with Polished Nickel Bronze Top (Add 3/16 [5] to 2-9/16 [65] Dim. & 5/8 [16] to 10 [254] Dim.)

**SUFFIXES**

- \_\_\_ -AR Acid Resistant Epoxy Coated
- \_\_\_ -C Underdeck Clamp
- \_\_\_ -DG Duresist Grate (Z Only)
- \_\_\_ -DP Top-Set® Roof Deck Plate
- \_\_\_ -DT Decorative Polished Top (ZB and ZN Only)
- \_\_\_ -E 2 [51] High Static Extension
- \_\_\_ -EB Top-Set® Adjustable Extension Assembly
- \_\_\_ -G Galvanized Cast Iron
- \_\_\_ -TC Neo-Loc Test Cap Gasket (2,3,4 [51,76,102] NL Bottom Outlet only)
- \_\_\_ -TS Top Secured with Slotted Screws
- \_\_\_ -VP Vandal-Proof Secured Top
- \_\_\_ -Y Sediment Bucket
- \_\_\_ -90 90° Threaded Side Outlet Body (2,3,4 [51,76,102])

\* Regularly furnished unless otherwise specified.