



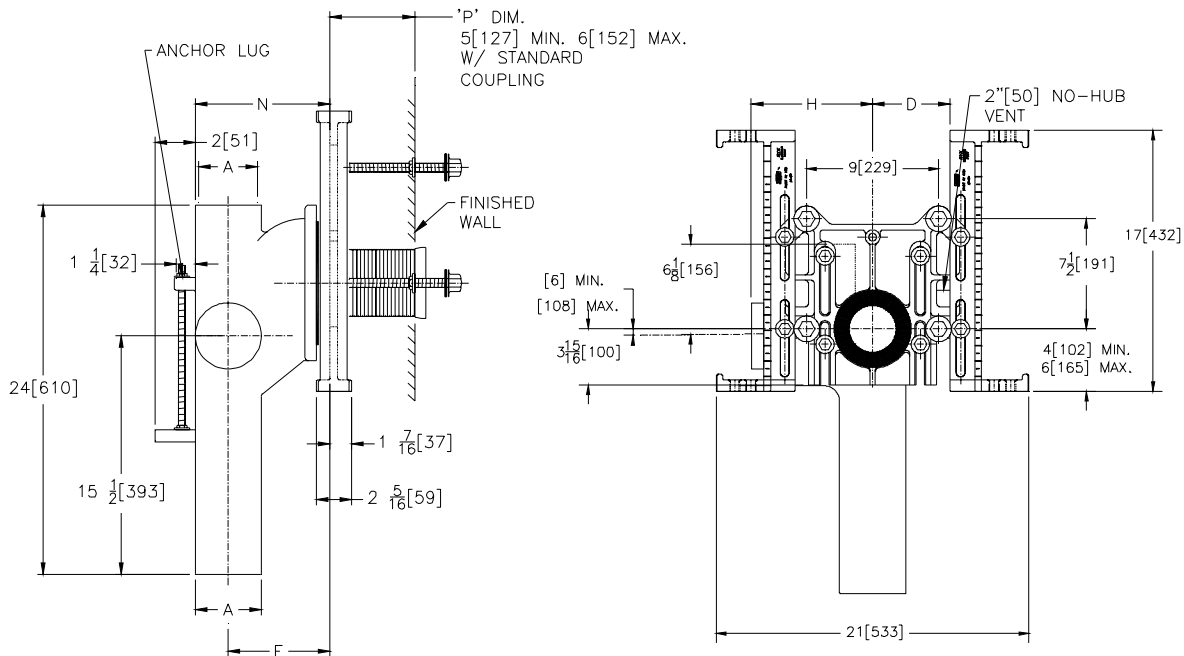
Z1204-94

ADJUSTABLE VERTICAL SIPHON JET-NO-HUB W/MODIFIED FACE PLATE FOR 4" ROUGH-IN

SPECIFICATION SHEET

TAG _____

Dimensional Data (inches and [mm]) are Subject to Manufacturing Tolerances and Change Without Notice



Note:

1. Min. 'P' Dim. Obtainable = 2 [51]
2. 2 [51] No-Hub vent connection regularly furnished on right hand side. Left hand available when specified (Suffix-VL)
3. Auxiliary inlet available right (-JR) or left (-JL) or both sides (-JJ) when specified.
4. Feet bolted to floor using min. 1/2 [13] dia. bolts and back slots on carrier feet.
5. Back anchor foot required for secure installation.

| Product No. | Dimensions In Inches | | | | | Approx. Wt.Lbs. [kg] |
|-------------|----------------------|-------------|-------------|-------------|--------------|----------------------|
| | A | D | E | H | N | |
| Z1204-N4-94 | 4 [102] | 5 [127] | 6 5/8 [168] | 5 1/2 [140] | 8 7/8 [225] | 80 [36] |
| Z1204-N5-94 | 5 [127] | 5 1/2 [140] | 6 5/8 [168] | 6 1/2 [165] | 9 3/8 [238] | 85 [39] |
| Z1204-N6-94 | 6 [152] | 6 [152] | 7 1/8 [181] | 6 1/2 [165] | 10 3/8 [264] | 95 [43] |

ENGINEERING SPECIFICATION: ZURN Z1204-94 Adjustable, vertical siphon jet water closet "Rigid System" with () size No-Hub connections and () side inlets. Complete with Dura-Coated cast iron right hand, left hand, or double main fitting, with 2 [51] vent, modified adjustable gasketed faceplate, universal floor mounted foot supports, corrosion resistant adjustable ABS coupling with integral test cap, fixture bolts, trim, and stud protectors. Rear anchor tie down and bonded "Neo-Seal" gasket.

PRODUCT/DEFINITION

____ Z1204-94 No-Hub Stack, Single Inlet, 2 [51] Right Hand Vent

PREFIXES

- ____ Z D.C.C.I. System with Zurn "ZZ" Adjustable Coupling*
- ____ ZQ D.C.C.I. System with NPT Faceplate, Non-Adjustable Coupling

SUFFIXES

- ____ -BC Back Cleanout
- ____ -CC Corrosion Resistant Cast Iron Coupling (6 to 12 [152] to [305])
- ____ -CL Coupling Length Greater than 12 [152] (Specify Length Required.)
- ____ -F Floor Mount, Back Outlet Fixture Support
- ____ -G Galvanized Cast Iron
- ____ -JJ Two 2" [51] Auxiliary Inlets
- ____ -JL 2 [51] Left-Hand Auxiliary Inlet
- ____ -JR 2 [51] Right-Hand Auxiliary Inlet
- ____ -M Auxiliary Foot Support (For P-Dim. 10-18 [254-457])
- ____ -VL Left Hand Vent Connection
- ____ -VP Vandal-Proof Trim
- ____ -29 Mechanical Test Cap Assembly (Previously Z1210-29)
- ____ -45 Finishing Frame for Siphon Jet System
- ____ -50 Flush Valve Supply Support for W.C.
- ____ -61 "ZZ" Coupling Wrench

*REGULARLY FURNISHED UNLESS OTHERWISE SPECIFIED

| | | |
|-----------------|---------------|----------------------|
| REV. | DATE: 7/27/11 | C.N. NO. 121731 |
| DWG. NO. 306889 | | PRODUCT NO. Z1204-94 |