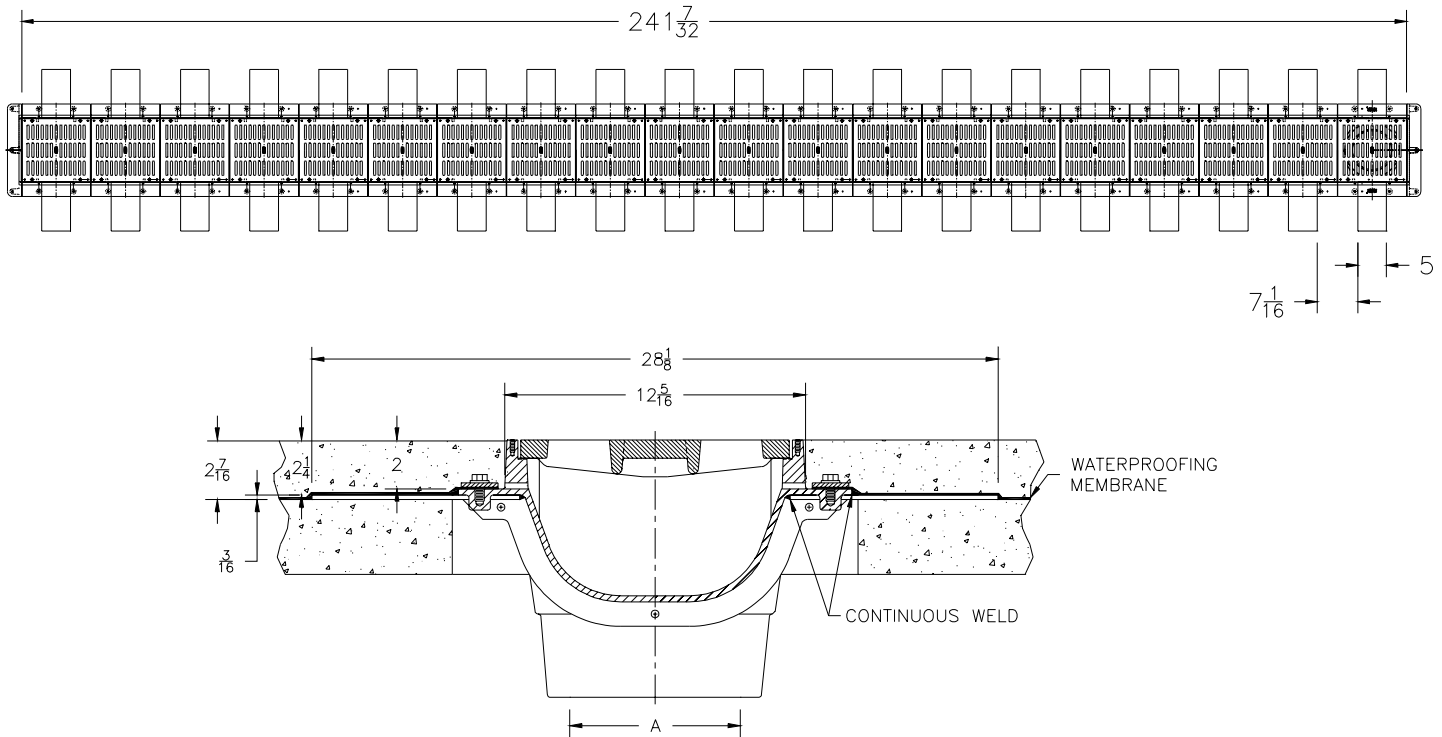




Z-665-88

12" [305] WIDE MODULAR TRENCH DRAIN HEAVY DUTY

Dimensional Data (inches and [mm]) are Subject to Manufacturing Tolerances and Change Without Notice



A- Pipe Size In.	Approx. Wt. Lbs. [kg]	Grate Open Area Sq. In. [cm ²]
2-3-4 [50-75-100]	100 [45]	180 [1161]
5-6 [125-150]	110 [50]	

ENGINEERING SPECIFICATION Z-665-88 12 [305] Wide top modular trench drain, Dura-Coated cast iron deep sump body with bottom outlet both 12 [305] long outlet and extension modules with wide support flange are complete with integral seepage pan and heavy duty loose slotted grates.

OPTIONS (Check/specify appropriate options)

PIPE SIZE	(Specify size/type)	OUTLET	'E' BODY HT. DIM.
2 thru 6 [50 thru 150]	_____	IC Inside Caulk	13 3/16 [335]
2 thru 4, 6 [50, 100, 150]	_____	IG Inside Caulk w/Sealtrol Gskt.	13 3/16 [335]
2 thru 4 [50, 100, 150]	_____	NL Neo-Loc	12 1/2 [318]

PREFIXES

- _____ Z- D.C.C.I. Body and Grate*
- _____ ZB- D.C.C.I Body w/Polished Bronze Top (Add 1/8 [3] to 'E' and 2 [51] Dim.)
- _____ ZN- D.C.C.I Body w/Polished Stainless Steel Top Frame and Grate (Add 1/8 [3] to 'E' and 2 [51] Dim.)

SUFFIXES

- _____ -AR Acid Resisting Epoxy Coated Cast Iron
- _____ -DB Bottom Dome Strainer
- _____ -DG Duresist Grate
- _____ -G Galvanized Cast Iron
- _____ -HP Heelproof Grate
- _____ -TS Top Secured With Slotted Screws
- _____ -VP Vandal Proof Secured Top
- _____ -Y Sediment Bucket

*REGULARLY FURNISHED UNLESS OTHERWISE SPECIFIED

REV.	DATE: 5/27/97	C.N. NO. 77965
DWG. NO. P-14475		PRODUCT NO. Z-665-88