



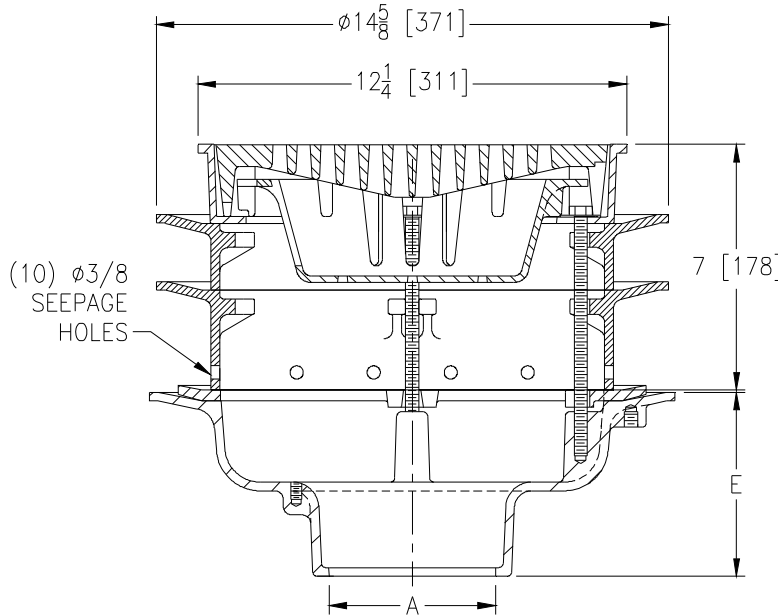
Z541-126

SPECIFICATION SHEET

12 [305] DIAMETER HEAVY DUTY DRAIN W/ STATIC EXTENSIONS & SECONDARY CLAMP COLLAR

TAG _____

Dimensional Data (inches and [mm]) are Subject to Manufacturing Tolerances and Change Without Notice



| A- Pipe Size | Approx. Wt. Lbs. [kg.] | Grate Open Area Sq. In. [cm ²] |
|----------------------------------|------------------------|--|
| 2-3-4-5-6 [51-76-102-127-152] | 62 [28] | 30 [194] |
| 8-10 [203-254] | 64 [29] | |

ENGINEERING SPECIFICATION: ZURN Z541-126

12 [305] Diameter top drain, Dura-Coated cast iron body with bottom outlet, secondary clamping collar, static extension with seepage holes, seepage pan and combination membrane flashing clamp frame and heavy-duty slotted grate with suspended sediment bucket.

OPTIONS (Check/specify appropriate options)

PIPE SIZE

- 2 thru 6-8-10 [51 thru 152-203-254]
- 2 thru 4-6 [51 thru 102-152]
- 2 thru 6-8-10 [51 thru 152-203-254]
- 2 thru 6-8-10 [51 thru 152-203-254]
- 2 thru 4 [51 thru 102]

(Specify size/type) OUTLET

- ___ IC Inside Caulk
- ___ IG Inside Gasket
- ___ IP Threaded
- ___ NH No-Hub
- ___ NL Neo-Loc

'E' BODY HT. DIM.

- 5 1/4 [133]
- 5 1/4 [133]
- 3 3/4 [95]
- 5 1/4 [133]
- 4 5/8 [117]

PREFIXES

- ___ Z D.C.C.I. Body and Top*
- ___ ZB D.C.C.I. Body with Polished Bronze Top (add 3/16 [5] to 2 [51] dim)
- ___ ZN D.C.C.I. Body with Polished Nickel Bronze Top (add 3/16 [5] to 2 [51] dim)

SUFFIXES

- ___ -AR Acid Resisting Epoxy Coated Cast Iron
- ___ -D Dome Grate (D.C.C.I. Only)
- ___ -DG Duresist Grate
- ___ -DX Dex-o-tex Flange (See Z532)
- ___ -G Galvanized Cast Iron
- ___ -H Hinged Grate
- ___ -HP Heel-Proof Grate
- ___ -LY (Less) Bucket
- ___ -P Trap Primer Connection
- ___ -PH Packing House Grate
- ___ -S Secondary Strainer
- ___ -SS Stainless Mesh Liner for Bucket
- ___ -TC Neo-Loc Test Cap Gasket (2 [51] to 4 [102] NL Bottom Outlet Only)
- ___ -TG Tractor Grate
- ___ -TS Top Secured with Slotted Screws
- ___ -V Backwater Valve (See Z1099)
- ___ -VP Vandal-Proof Secured Top
- ___ -WS Wide Slotted Grate (50 Sq. In. [323] Open)
- ___ -90 90° Threaded Side Outlet Body (2 [50] thru 6 [150])

*REGULARLY FURNISHED UNLESS OTHERWISE SPECIFIED

| | | |
|-----------------|----------------------|-----------------|
| REV. | DATE: 8/25/10 | C.N. NO. 111597 |
| DWG. NO. 302059 | PRODUCT NO. Z541-126 | |

ZURN INDUSTRIES, LLC. ♦ SPECIFICATION DRAINAGE OPERATION ♦ 1801 Pittsburgh Ave. ♦ Erie, PA 16514

Phone: 814455-0921 ♦ Fax: 814454-7929 ♦ World Wide Web: www.zurn.com

In Canada: ZURN INDUSTRIES LIMITED ♦ 3544 Nashua Drive ♦ Mississauga, Ontario L4V1L2 ♦ Phone: 905405-8272 Fax: 905405-1292