



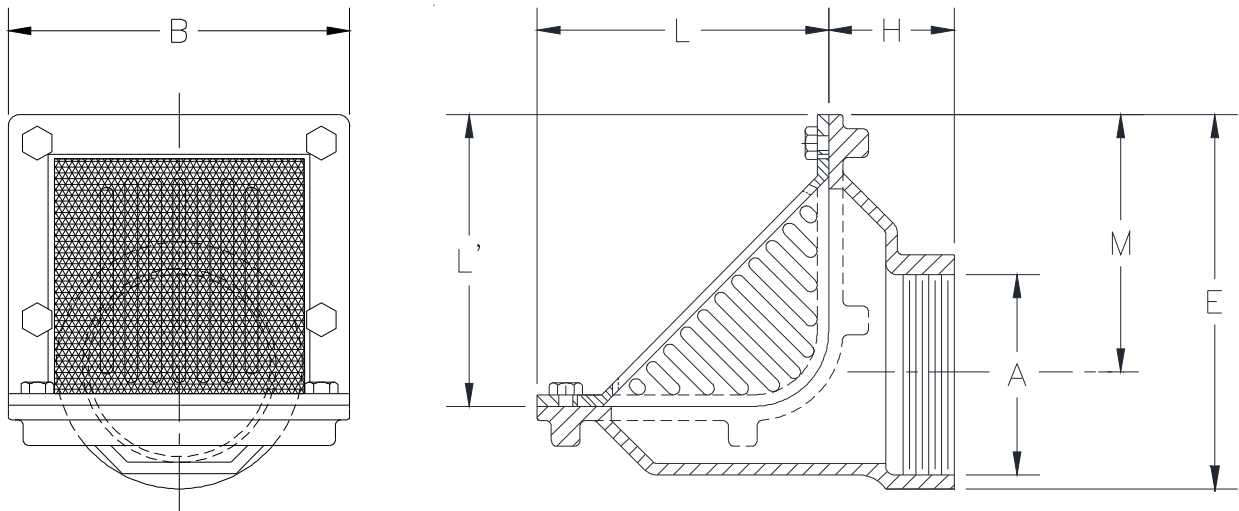
# Z187-BS

6-3/8" X 7-1/2" [162 X 191] OR 8-3/8" X 12-1/2" [213 X 318]  
 OBLIQUE SCUPPER DRAIN W/ BRONZE MESH SCREEN

SPECIFICATION SHEET

TAG \_\_\_\_\_

Dimensional Data (inches and [ mm ]) are Subject to Manufacturing Tolerances and Change Without Notice



Dimensions In Inches [mm]						Approx. Wt. Lbs. [kg]	Grate Open Area Sq. In. [cm <sup>2</sup> ]
A-Pipe Size	B	H	L	L'	M		
2 [51]	7-1/2 [191]	2-3/4 [70]	6-3/8 [162]	6-3/8 [162]	6-5/8 [168]	22 [10]	31 [200]
3 [76]					6-1/8 [156]		
4 [102]					5-5/8 [143]		
6 [152]	12-1/2 [318]	3-1/2 [89]	8-3/8 [213]	8-3/8 [213]	7-7/8 [200]	32 [15]	72 [465]
8 [203]					7-3/8 [187]		

### ENGINEERING SPECIFICATION: ZURN Z-187-BS

6-3/8" x 7-1/2" [162mm x 191mm] or 8-3/8" x 12-1/2" [213mm x 318mm] Scupper drain, Dura-Coated cast iron body with reversible back or bottom outlet, oblique aluminum grate with 90° combination frame and membrane flashing clamp with bronze mesh screen over grate.

### OPTIONS (Check/specify appropriate options)

#### PIPE SIZE

2, 3, 4 [51, 76, 102]  
 6, 8 [152, 203]

#### (Specify size/type) OUTLET

\_\_\_ IP Threaded  
 \_\_\_ IP Threaded

#### 'E' BODY HT. DIM.

8-1/8 [206]  
 11 [279]

### PREFIXES

\_\_\_ Z D.C.C.I. Body with Grate\*  
 \_\_\_ ZN D.C.C.I. Body with Polished Nickel Bronze Grate

### SUFFIXES

\_\_\_ -FG Flush Grate  
 \_\_\_ -G Galvanized Cast Iron  
 \_\_\_ -VP Vandal Proof Secured Top

\* Regularly furnished unless otherwise specified.