



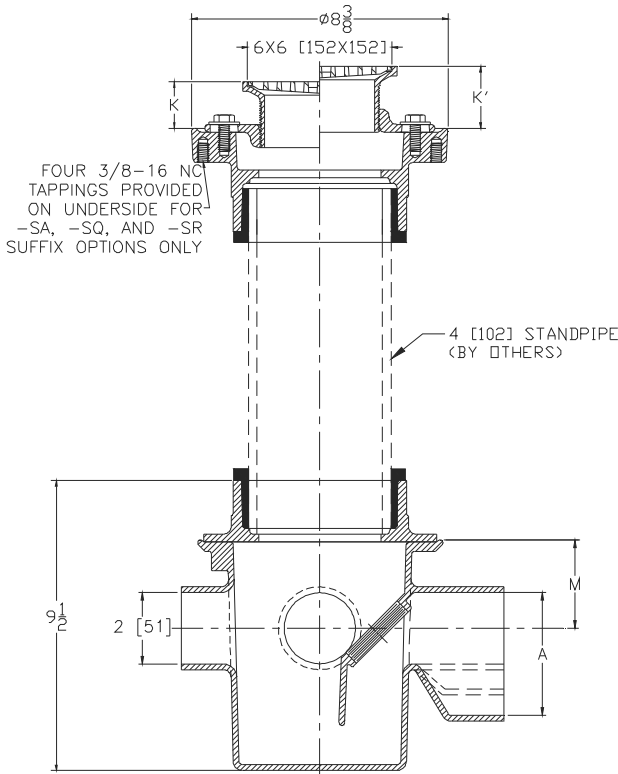
Z356-77

MULTI-INLET ADJUSTABLE FLOOR DRAIN WITH TRAP & ADJUSTABLE SQUARE TOP DRAIN ASSEMBLY

SPECIFICATION SHEET

TAG _____

Dimensional Data (inches and [mm]) are Subject to Manufacturing Tolerances and Change Without Notice



ENGINEERING SPECIFICATION: ZURN ZN356-77

Multi-Inlet adjustable floor drain with trap, Dura-Coated cast iron body with integral trap seal, complete with plastic cleanout plug, Top drain assembly with invertable collar and 6" [152mm] square, polished nickel bronze adjustable top.

A-Pipe Size	M	Dimensions In Inches [mm]				Approx. Wt. Lbs. [kg/m]	Open Area In ² [cm ²]
		K		K'			
		Min.	Max.	Min.	Max.		
2 [51]	2-7/8 [73]	1 [25]	1-27/32 [47]	1-13/32 [36]	2-19/32 [66]	30 [45]	13 [84]
3 [76]	3-3/8 [86]	1 [25]	1-27/32 [47]	1-13/32 [36]	2-19/32 [66]		
4 [102]	3-23/32 [94]	1 [25]	1-27/32 [47]	1-13/32 [36]	2-19/32 [66]		

OPTIONS (Check/specify appropriate options)

PIPE SIZE

2, 3, 4 [51, 76, 102]

(Specify size/type) **OUTLET**

_____ NH No-Hub

PREFIXES

- _____ ZB D.C.C.I. Body w/Polished Bronze Top
- _____ ZN D.C.C.I. Body w/Polished Nickel Bronze Top*

SUFFIXES

- _____ -AR Acid Resisting Epoxy Coated Cast Iron
- _____ -BP Bronze Plug
- _____ -CP Chrome Plated Top
- _____ -DP Decorative Polished Top
- _____ -EF 3/8 [10] Extension Frame
- _____ -G Galvanized Cast Iron
- _____ -HD Heavy-Duty Grate (ZN 6x6 [152 x152] only)
- _____ -J Auxiliary Inlet Connection (Opposite Outlet)
- _____ -J2 Two (2) Auxiliary Inlet Connections (1 Opposite Outlet, 1 Left Side Facing Outlet)
- _____ -J3 Three (3) Auxiliary Inlet Connections
- _____ -P Trap Primer Connection (Specify 1/2 [13] or 3/4 [19])
- _____ -PC Protective Cover
- _____ -U 1-3 [25-76] High Extension Adaptor
- _____ -V Backwater Valve
- _____ -VP Vandal-Proof Secured Top
- _____ -Y Sediment Bucket

* Regularly furnished unless otherwise specified.