



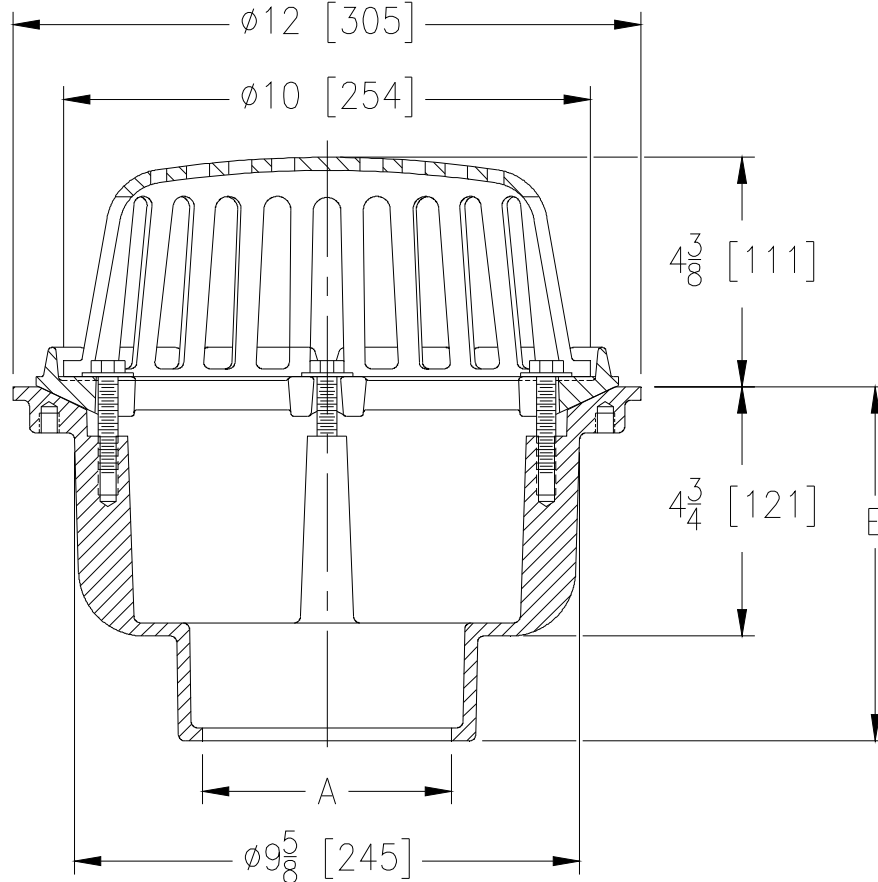
Z121-DB

12 [305] DIAMETER DEEP SUMP ROOF DRAIN

SPECIFICATION SHEET

TAG _____

Dimensional Data (inches and [mm]) are Subject to Manufacturing Tolerances and Change Without Notice



A Pipe Size in [mm]	Approx Wt. lbs [kg]	Dome Open Area in ² [cm ²]
2,3,4,6 [51,76,102,152]	22 [10]	78 [503]

ENGINEERING SPECIFICATION: ZURN Z121-DB

12" [305mm] Diameter roof drain. Dura-Coated cast iron deep sump body with combination membrane flashing clamp/gravel guard and low silhouette Poly-Dome.

OPTIONS (Check/specify appropriate options)

PIPE SIZE

2,3,4,6 [51,76,102,152]

(Specify size/type) OUTLET

_____ IC Inside Caulk

E BODY HT. DIM.

6-3/4 [171]

PREFIXES

- _____ Z D.C.C.I. Body with Poly-Dome (4-1/4 [108] Dome Height)*
- _____ ZA D.C.C.I. Body with Aluminum Dome (6-9/16 [167] Dome Height)
- _____ ZC D.C.C.I. Body with Cast Iron Dome

SUFFIXES

- _____ -AR Acid Resistant Epoxy Coated
- _____ -C Underdeck Clamp
- _____ -DP Top-Set® Roof Deck Plate (Replaces both -C and -R)
- _____ -E Static Extension 1 [25] thru 4 [102] (Specify Ht.)
- _____ -EB Top-Set Adjustable Extension Assembly
- _____ -FG Flush Grate
- _____ -G Galvanized Cast Iron
- _____ -R Roof Sump Receiver
- _____ -SC Secondary Clamping Collar
- _____ -SS Stainless Mesh Screen Over Dome
- _____ -VP Vandal Proof Secured Top
- _____ -84 Stainless Steel Perforated Gravel Guard
- _____ -85 Stainless Steel Perforated Extension
- _____ -89 2 [51] High External Water Dam

* Regularly furnished unless otherwise specified.