

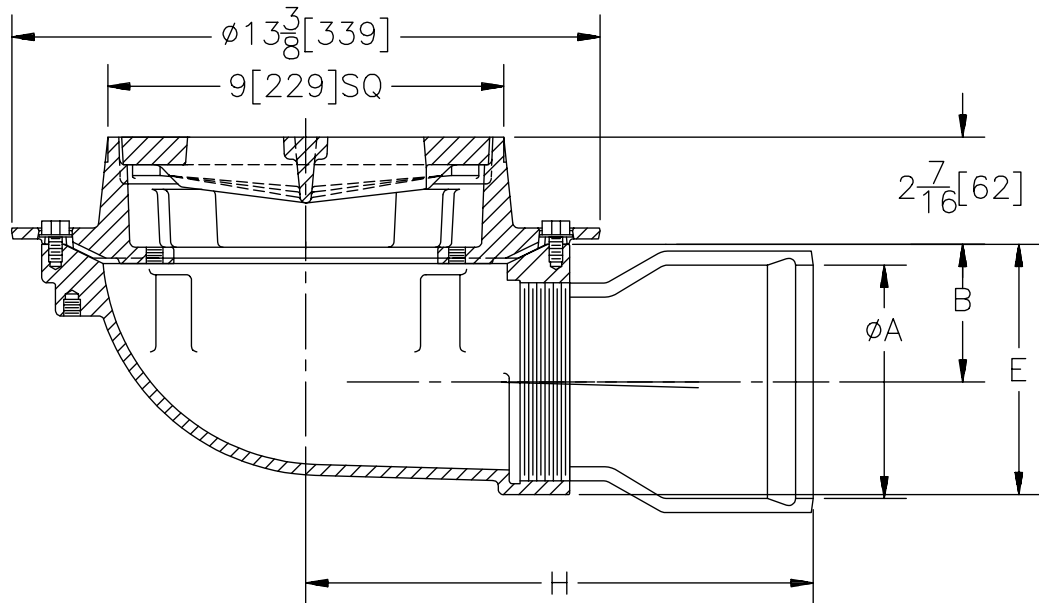


Z-550-92

TAG _____

9 [229] DIAMETER MEDIUM DUTY DRAIN

Dimensional Data (inches and [mm]) are Subject to Manufacturing Tolerances and Change Without Notice



A Pipe Size In. [mm]	B	H	Approx. Wt. Lbs. [kg.]	Grate Open Area Sq. In. [cm ²]
2 [50]	4 1/8 [105]	8 9/16 [217]	42 [18]	14 [90]
3 [75]	3 5/8 [92]	9 1/4 [235]	43 [19]	
4 [100]	3 1/8 [79]	9 5/8 [244]	43 [19]	
6 [150]	2 1/8 [54]	9 7/8 [251]	44 [19]	

ENGINEERING SPECIFICATION: ZURN Z-550-92

9[229] Diameter top drain, Dura-Coated cast iron body with side outlet along with Z-1030 hub adaptor, seepage pan and medium duty cast iron anti-tilt square top slotted grate and combination membrane flashing clamp and frame.

OPTIONS (Check/specify appropriate options)

PIPE SIZE	(Specify size/type)	OUTLET	'E' BODY HT. DIM.
2, 3, 4 [50, 75, 100]	_____	IC Inside Caulk	3 3/4 [95]
2, 3, 4 [50, 75, 100]	_____	IG Inside Caulk w/Sealtrol Gskt.	3 3/4 [95]
2, 3, 4 [50, 75, 100]	_____	IP Threaded	2 3/4 [70]
2, 3, 4 [50, 75, 100]	_____	NH No-Hub	4 3/4 [121]
2, 3, 4 [50, 75, 100]	_____	NL Neo-Loc	3 1/2 [89]
6 [150]	_____	NH No-Hub	5 1/4 [133]

PREFIXES

- _____ Z- D.C.C.I. Body and Grate*
- _____ ZB- D.C.C.I. Body with Polished Bronze Grate (Add 3/16 [5] to 2 [51] Dim.)
- _____ ZN- D.C.C.I. Body with Polished Nickel Bronze Grate (Add 3/16 [5] to 2 [51] Dim.)

SUFFIXES

- _____ -AR Acid Resisting Epoxy Coated Interior
- _____ -D Dome Grate
- _____ -DF Deflector Grate
- _____ -DG Duresist Grate
- _____ -G Galvanized Cast Iron
- _____ -GG Galvanized Grate
- _____ -P Trap Primer Connection
- _____ -S Secondary Strainer
- _____ -SS Stainless Mesh Liner for Bucket
- _____ -TG Tractor Grate
- _____ -V Backwater Valve (See Z-1099)
- _____ -VP Vandal Proof Secured Top
- _____ -Y Sediment Bucket

REV.	DATE: 1/25/96	C.N. NO. 74053
DWG. NO. P-14285 PRODUCT NO. Z-550-92		

*REGULARLY FURNISHED UNLESS OTHERWISE SPECIFIED