



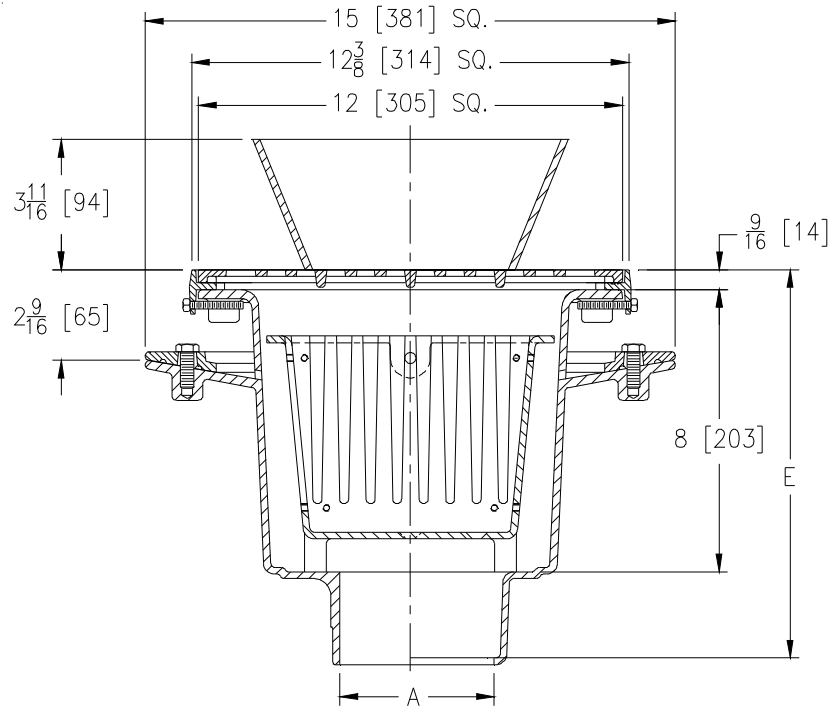
ZN1901-KC-8-23

12-3/8 X 12-3/8 [314 X 314] A.R.E. SANI-FLOR RECEPTOR
 8 [203] SUMP DEPTH WITH ANCHOR FLANGE, CLAMP COLLAR,
 OVAL FUNNEL, ALUMINUM BUCKET, & N.B. FRAME AND GRATE

SPECIFICATION SHEET

TAG _____

Dimensional Data (inches and [mm]) are Subject to Manufacturing Tolerances and Change Without Notice



A - Pipe Size In [mm]	Approx. Wt. Lbs [kg]	Grate Open Area Sq. In [cm ²]
2,3,4 [51,76,102]	34 [15]	44 [284]

ENGINEERING SPECIFICATION: ZURN ZN1901-KC-8-23
 Sani-Flor receptor 12-3/8" x 12-3/8" x 8" [314mm x 314mm x 203mm] deep cast iron body with white acid resisting porcelain enamel interior, black ground enamel exterior coating, seepage flange with seepage holes and clamp collar, nickel bronze frame and grate with 8-7/8" x 3-5/8" x 3-3/4" [225mm x 92mm x 95mm] high oval funnel, complete with aluminum sediment bucket.

OPTIONS (Check/specify appropriate options)

PIPE SIZE	(Specify size/type)	OUTLET	'E' DIMENSION
3, 4 [76, 102]	_____	IC Inside Caulk	11-1/8 [283]
2, 3, 4 [51, 76, 102]	_____	NH No-Hub	11-1/8 [283]
2, 3, 4 [51, 76, 102]	_____	NL Neo-Loc	10-1/2 [267]

PREFIXES

___ ZN Cast Iron Body with White A.R.E. Interior, 12-3/8 [314] Square Nickel Bronze Frame and Full Grate with 1/2 [13] Square Openings.*

SUFFIXES

___ -DX Dex-O-Tex Flange	___ -2 1/2 Grate
___ -HP Heel-Proof Grate	___ -3 3/4 Grate
___ -P 1/2 [13] Trap Primer Connection (See Z1023)	___ -11 Vandal-Proof Secured Top (ZN & ZS Only)
___ -SA Stabilizer Assembly (See Z1903)	___ -31 Stainless Steel Mesh Liner for Bucket
___ -TC Neo-Loc Test Cap Gasket (2, 3, 4 [51, 76, 102] NL Bottom Outlet Only)	
___ -VPS Vandal-Proof Strainer	

* Regularly furnished unless otherwise specified.