



Z895-107

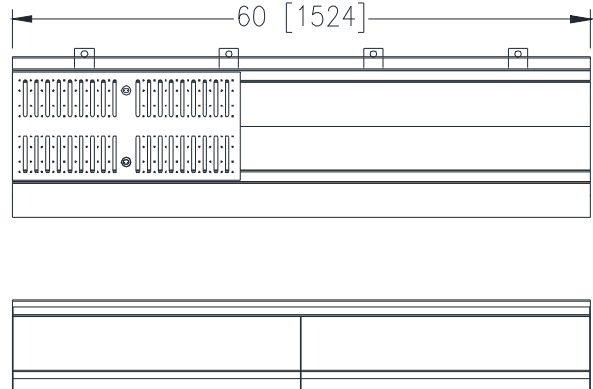
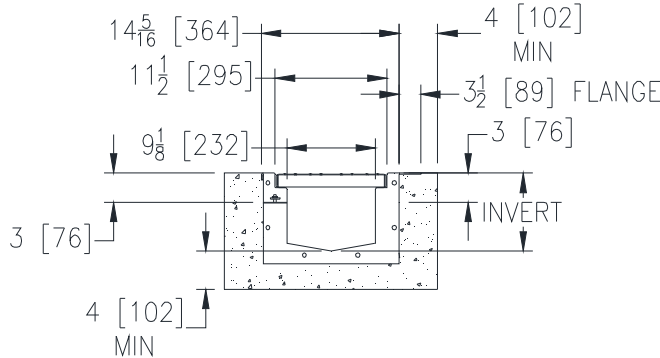
12 [305] WIDE REVEAL TRENCH DRAIN SYSTEM W/ FLANGE AND MOUNTING BRACKETS

SPECIFICATION SHEET

TAG _____

Dimensional Data (inches and [mm]) are Subject to Manufacturing Tolerances and Change Without Notice

SPECIFYING ENGINEER IS RESPONSIBLE FOR
CONCRETE ENCASEMENT AND REINFORCING
BASED UPON APPLICATION AND LOCAL CODES



ENGINEERING SPECIFICATION: Zurn Z895-107

Channels shall be 60" [1524mm] long, 12" [305mm] wide and have a 9-1/8" [232mm] throat. Modular channel sections shall be made of 12ga. fabricated Stainless Steel conforming to ASTM A-240 (type 304). Channels shall have a bolted, flanged connection between channel sections that will not separate during the installation, gaskets available. Channels to be provided with 3.5" [89] flange along one side and mounting brackets along other side. brackets to accommodate 5/8" [16] rods provided by others. Channels shall weigh less than 4.15 lbs. [1.05kg] per linear foot, have a smooth, 1-1/2" [38mm] radiused self cleaning bottom with a Manning's coefficient of .009 and 1.04% or neutral 0% built in slope. Channels shall have feet for patty pour or leveling studs standard to secure trench in its final location. Shall be provided with standard FS grates that lock down to frame. Zurn 12" [305 mm] wide reveal Fabricated Stainless Steel Grate conforming to ASTM specification A-240, (type 304), is rated class A per the DIN EN1433 top load classification. Supplied in 24" [610mm] nominal lengths with 5/16" [8mm] wide slots, and 1-1/4" [32mm] bearing depth. Grate has an open area of 25.61 sq. in per ft. [542 sq. cm per meter]. All welds must be performed by a certified welder per ASTM standard AWS D1.6. Channels shall be produced in the U.S.A.

PREFIX OPTIONS (Check/specify appropriate options)

___ Z Five-foot, Type 304 Stainless Steel*

SUFFIX OPTIONS (Check/specify appropriate options)

Outlet Adapters Add/Each

- ___ -E1 Closed End Cap
- ___ -E4 4 [102] No-Hub End Outlet
- ___ -E6 6 [152] No-Hub End Outlet
- ___ -E8 8 [203] No-Hub End Outlet
- ___ -U4 4 [102] No-Hub Bottom Outlet
- ___ -U6 6 [152] No-Hub Bottom Outlet
- ___ -U8 8 [203] No-Hub Bottom Outlet

Grate Options (Load Classifications are per DIN EN1433)

Miscellaneous Options

___ -VP Vandal-Proof Lockdown

MADE in the U.S.A.

- ___ -FS Fabricated Stainless Steel Slotted Grate - Class A*
- ___ -GG Fiberglass Grate - Class A
- ___ -PS Perforated Stainless Steel Grate - Class A

Miscellaneous Options

___ -DB Bottom Dome Strainer

| Trench No. | Dimensions in Inch [mm] | | Flow | | |
|------------|-------------------------|---------------|-------|-------|-------|
| | 'A' Shallow Inv. | 'B' Deep Inv. | (cfs) | (gpm) | (lps) |
| 89501 | 6.00 [152] | 6.63 [168] | 1.221 | 548 | 35 |
| 89502 | 6.63 [168] | 7.25 [184] | 1.453 | 652 | 41 |
| 89502N | 7.25 [184] | 7.25 [184] | - | - | - |
| 89503 | 7.25 [184] | 7.88 [200] | 1.691 | 759 | 48 |
| 89504 | 7.88 [200] | 8.50 [216] | 1.934 | 868 | 55 |
| 89504N | 8.50 [216] | 8.50 [216] | - | - | - |
| 89505 | 8.50 [216] | 9.13 [232] | 2.179 | 978 | 62 |
| 89506 | 9.13 [232] | 9.75 [248] | 2.429 | 1090 | 69 |
| 89506N | 9.75 [248] | 9.75 [248] | - | - | - |
| 89507 | 9.75 [248] | 10.38 [264] | 2.680 | 1203 | 76 |
| 89508 | 10.38 [264] | 11.00 [279] | 2.932 | 1316 | 83 |
| 89508N | 11.00 [279] | 11.00 [279] | - | - | - |
| 89509 | 11.00 [279] | 11.63 [295] | 3.189 | 1431 | 91 |
| 89510 | 11.63 [295] | 12.25 [311] | 3.445 | 1546 | 98 |
| 89510N | 12.25 [311] | 12.25 [311] | - | - | - |
| 89511 | 12.25 [311] | 12.88 [327] | 3.703 | 1662 | 105 |
| 89512 | 12.88 [327] | 13.50 [343] | 3.964 | 1779 | 113 |
| 89512N | 13.50 [343] | 13.50 [343] | - | - | - |
| 89513 | 13.50 [343] | 14.13 [359] | 4.225 | 1896 | 120 |
| 89514 | 14.13 [359] | 14.75 [375] | 4.485 | 2013 | 127 |
| 89514N | 14.75 [375] | 14.75 [375] | - | - | - |
| 89515 | 14.75 [375] | 15.38 [391] | 4.748 | 2131 | 135 |
| 89516 | 15.38 [391] | 16.00 [406] | 5.011 | 2249 | 142 |
| 89516N | 16.00 [406] | 16.00 [406] | - | - | - |
| 89517 | 16.00 [406] | 16.63 [422] | 5.276 | 2368 | 150 |
| 89518 | 16.63 [422] | 17.25 [438] | 5.541 | 2487 | 157 |
| 89518N | 17.25 [438] | 17.25 [438] | - | - | - |
| 89519 | 17.25 [438] | 17.88 [454] | 5.807 | 2606 | 165 |
| 89520 | 17.88 [454] | 18.50 [470] | 6.132 | 2752 | 174 |

* Regularly furnished unless otherwise specified.