

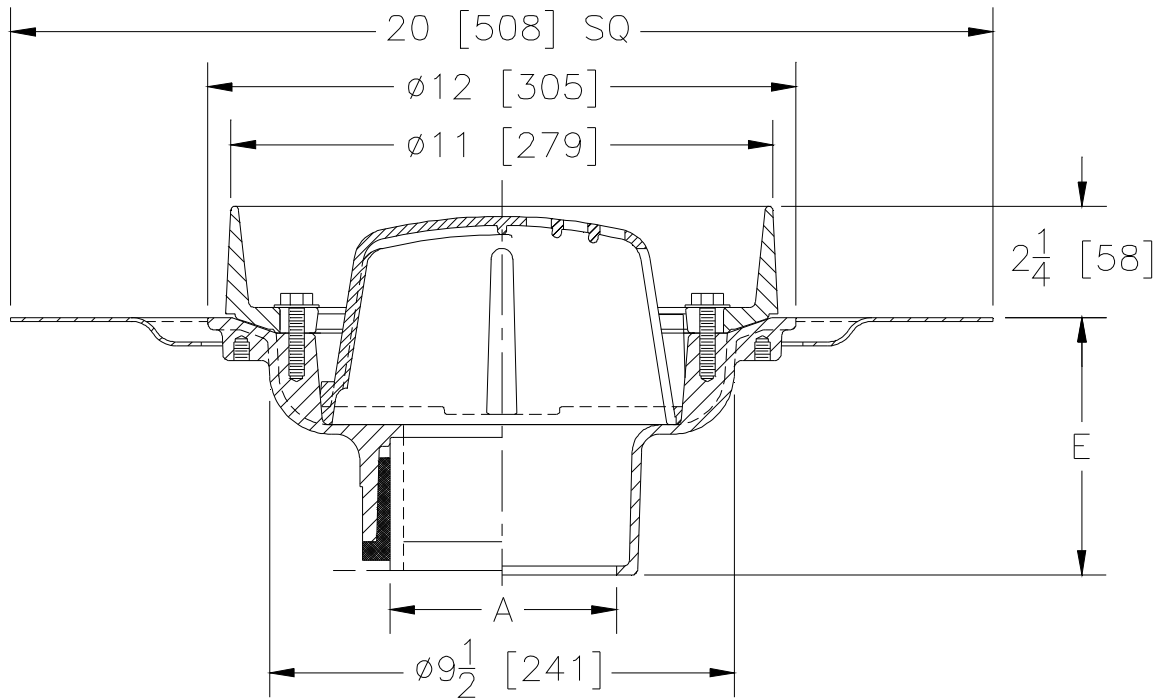


Z122-R
 12 [305] DIAMETER DECK RECEPTOR DRAIN
 WITH ROOF SUMP RECEIVER

SPECIFICATION SHEET

TAG _____

Dimensional Data (inches and [mm]) are Subject to Manufacturing Tolerances and Change Without Notice



A- Pipe Size In. [mm]	Approx. Wt. Lbs. [kg]
2,3,4,6 [51,76,102,152]	29 [13]

ENGINEERING SPECIFICATION: ZURN Z122-R

12" [305mm] Diameter deck receptor drain with Dura-Coated cast iron body with combination membrane flashing clamp/deck receptor frame, roof sump receiver and internal dome strainer.

OPTIONS (Check/specify appropriate options)

PIPE SIZE

2, 3, 4, 6 [51, 76, 102, 152]

2, 3, 4 [51, 76, 102]

(Specify size/type) **OUTLET**

_____ NH No-Hub

_____ NL Neo-Loc

E BODY HT. DIM.

5-1/4 [133]

4-5/8 [117]

PREFIXES

_____ Z D.C.C.I. Body with Collar*

SUFFIXES

_____ -AR Acid Resistant Epoxy Coated

_____ -C Underdeck Clamp

_____ -E Static Extension 1 [25] thru 4 [102] (Specify Ht.)

_____ -G Galvanized Cast Iron

_____ -HD High Dome

_____ -TC Neo-Loc Test Cap Gasket (2,3,4 [51,76,102] NL Bottom Outlet Only)

* Regularly furnished unless otherwise specified.