

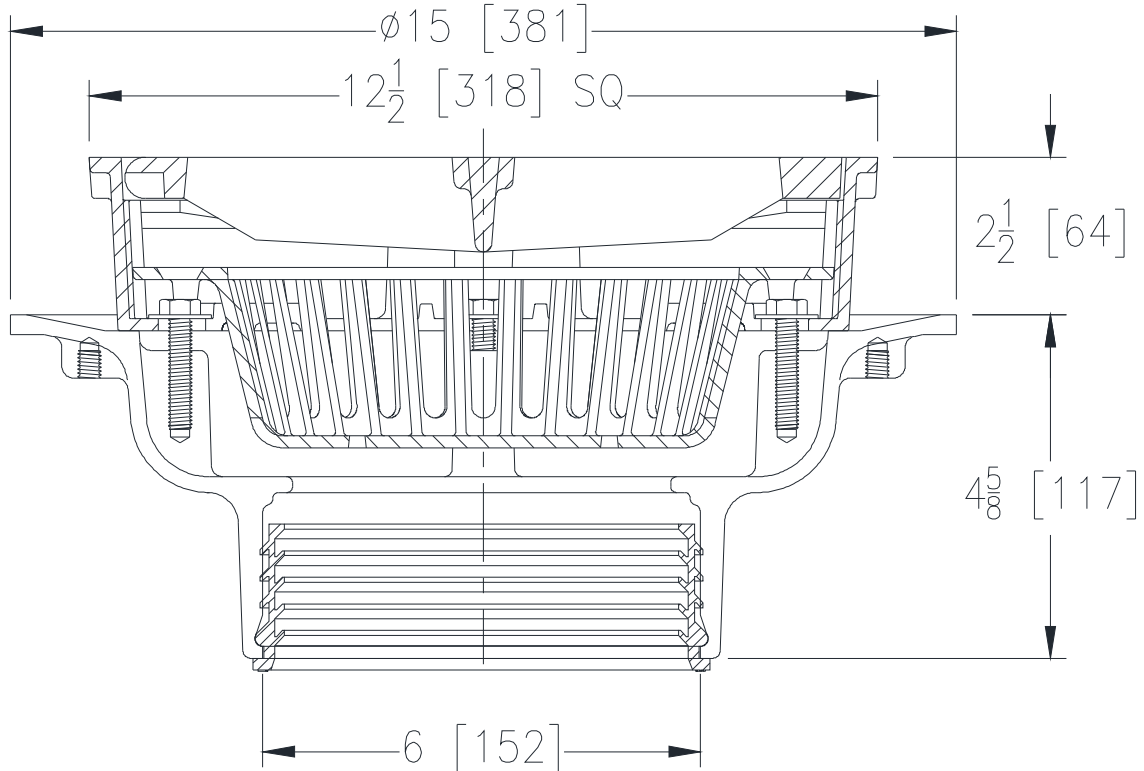
**Z610-137**

12 [305] HEAVY-DUTY DRAIN W/ 6 [152] NEO-LOC OUTLET

SPECIFICATION SHEET

TAG _____

Dimensional Data (inches and [mm]) are Subject to Manufacturing Tolerances and Change Without Notice



A Pipe Size	Approx. Wt. Lbs. [kg]	Grate Open Area Sq. In. [cm ²]
6 [152]	54 [24]	42 [271]

ENGINEERING SPECIFICATION: ZURN Z610

12 [305] Square top drain, Dura-Coated cast iron body with bottom outlet, seepage pan and combination membrane flashing clamp and frame for heavy-duty cast iron loose slotted grate, with suspended polypropylene sediment bucket.

OPTIONS (Check/specify appropriate options)**PREFIXES**

- ___ Z D.C.C.I. Body and Top*
- ___ ZB D.C.C.I. Body w/Polished Bronze Top (Add 3/16 [5] to 2-1/2 [64] Dim. and 3/4 [19] to 12-1/2 [318] Dim.)
- ___ ZN D.C.C.I. Body w/Polished Nickel Bronze Top (Add 3/16 [5] to 2-1/2 [64] Dim. and 3/4 [19] to 12-1/2 [318] Dim.)

SUFFIXES

- ___ -AR Acid Resistant Epoxy Coated Cast Iron
- ___ -DG Duresist Grate
- ___ -DS Ductile Iron Solid Cover
- ___ -DX Dex-o-tex Flange (ZB, ZN Only)
- ___ -F 2 [51] High Extension
- ___ -G Galvanized Cast Iron
- ___ -H Hinged Grate
- ___ -HC Hinged Solid Cover
- ___ -HL Hinged Locking Grate
- ___ -HLC Hinged Locking Cover
- ___ -LY (Less) Sediment Bucket
- ___ -P Trap Primer Connection
- ___ -S Secondary Strainer
- ___ -SC Solid Cover
- ___ -SS Stainless Steel Mesh Liner for Bucket
- ___ -TS Top Secured with Slotted Screws
- ___ -V Backwater Valve (See Z1099)
- ___ -VP Vandal-Proof Secured Top
- ___ -YA Aluminum Sediment Bucket
- ___ -YC Cast Iron Sediment Bucket
- ___ -90 90° Threaded Side Outlet Body

* Regularly furnished unless otherwise specified.

Zurn Industries, LLC | Specification Drainage Operation
 1801 Pittsburgh Avenue, Erie, PA U.S.A. 16502 · Ph. 855-663-9876, Fax 814-454-7929
 In Canada | **Zurn Industries Limited**
 3544 Nashua Drive, Mississauga, Ontario L4V 1L2 · Ph. 905-405-8272, Fax 905-405-1292
www.zurn.com

Rev. -
 Date: 09/26/2017
 C.N. No. 137878
 Prod. | Dwg. No. Z610-137