



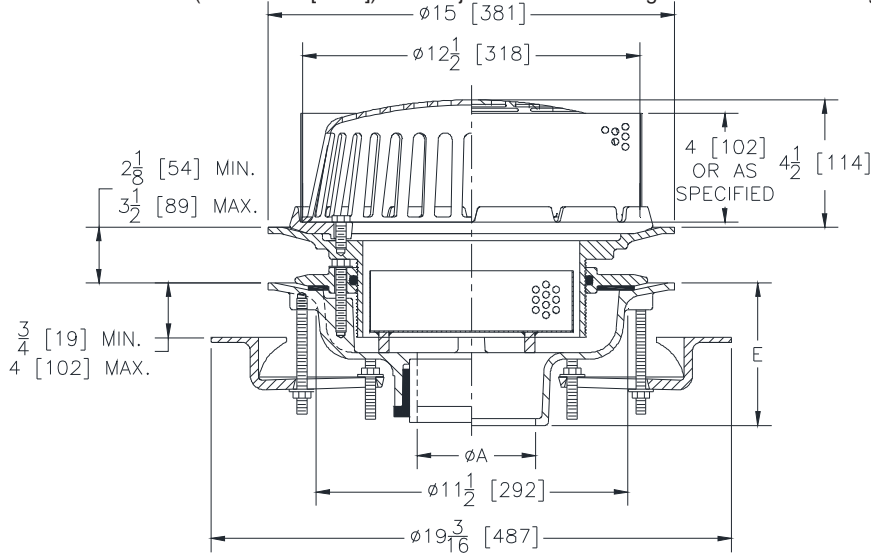
Z100-330

15 [381] DIA. MAIN ROOF DRAIN W/
UNDERDECK CLAMP, STATIC EXTENSION, ADJUSTABLE
EXTENSION, SEDIMENT BUCKET, AND GRAVEL GUARD

SPECIFICATION SHEET

TAG _____

Dimensional Data (inches and [mm]) are Subject to Manufacturing Tolerances and Change Without Notice



A- Pipe Size In. [mm]	Approx. Wt. Lbs.[Kg]	Dome Open Area Sq. In.[cm ²]
2,3,4 [51,76,102]	48 [22]	103 [665]
5,6 [127,152]	49 [23]	
8 [203]	50 [23]	

ENGINEERING SPECIFICATION: ZURN Z100-330

15" [381mm] diameter roof drain. Dura-Coated cast iron body with combination membrane flashing clamp/gravel guard, adjustable extension, adjustable extension, underdeck clamp, sediment bucket, gravel guard, and low silhouette Poly-Dome.

OPTIONS (Check/specify appropriate options)

PIPE SIZE

2,3,4,5,6,8 [51,76,102,127,152,203]
2,3,4,5,6,8 [51,76,102,127,152,203]
2,3,4,5,6,8 [51,76,102,127,152,203]
2,3,4 [51,76,102]

(Specify size/type) OUTLET

_____ IC Inside Caulk
_____ IP Threaded
_____ NH No-Hub
_____ NL Neo-Loc

E BODY HT. DIM.

5-1/4 [133]
3-3/4 [95]
5-1/4 [133]
4-5/8 [117]

PREFIXES

_____ Z D.C.C.I. Body with Poly-Dome*
_____ ZA D.C.C.I. Body with 6 3/4 [171] High Aluminum Dome
_____ ZC D.C.C.I. Body with Cast Iron Dome
_____ ZRB D.C.C.I. Body with Plain Bronze Dome

SUFFIXES

_____ -AR Acid Resistant Epoxy Coated
_____ -AW 3/4 [19] to 4 [102] Adj. Water Level Regulator (Specify Height) (ZC Only)
_____ -BS Bronze Mesh Screen Over Dome
_____ -DX Dex-o-tex Flange
_____ -FG Flush Grate (Replaces Dome Strainer)
_____ -G Galvanized Cast Iron
_____ -GD Galvanized Cast Iron Dome (ZC Only)
_____ -HD 6 3/4 [171] High Aluminum Dome Strainer (148 Sq. In. [955 cm²] Open Area) (ZA Only)
_____ -R Roof Sump Receiver
_____ -SC Secondary Clamp Collar
_____ -SS Stainless Steel Mesh Screen Over Dome
_____ -ST Dome with Solid Top (ZA, ZC & ZRB Only)

_____ -TC Neo-Loc Test Cap Gasket (2 - 4 [51 - 102] NL Bottom Outlet Only)
_____ -VP Vandal-Proof Secured Top
_____ -W2 2 [51] Internal Water Dam
_____ -W3 3 [76] Internal Water Dam
_____ -W4 4 [102] Internal Water Dam
_____ -90 90° Threaded Side Outlet Body (2 thru 6 [51 or 152])

** With standard studs, longer studs available upon request.

* Regularly furnished unless otherwise specified.

Zurn Industries, LLC | Specification Drainage Operation
1801 Pittsburgh Avenue, Erie, PA U.S.A. 16502 · Ph. 855-663-9876, Fax 814-454-7929
In Canada | Zurn Industries Limited
3544 Nashua Drive, Mississauga, Ontario L4V 1L2 · Ph. 905-405-8272, Fax 905-405-1292
www.zurn.com

Rev. -
Date: 05/17/2017
C.N. No. 136893
Prod. | Dwg. No. Z100-330