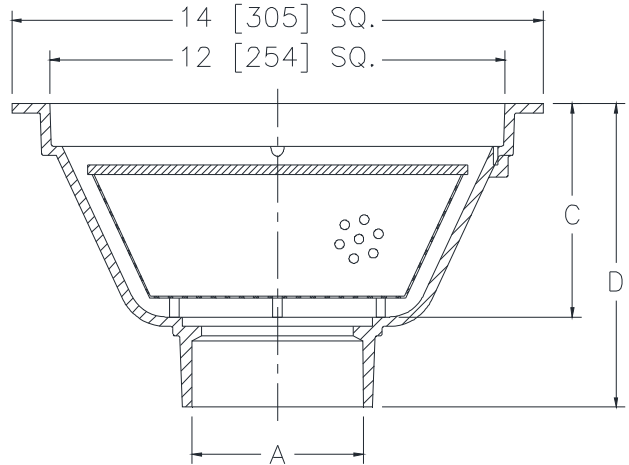


Dimensional Data (inches and [mm]) are Subject to Manufacturing Tolerances and Change Without Notice



FD2370-YS PVC Floor Sink

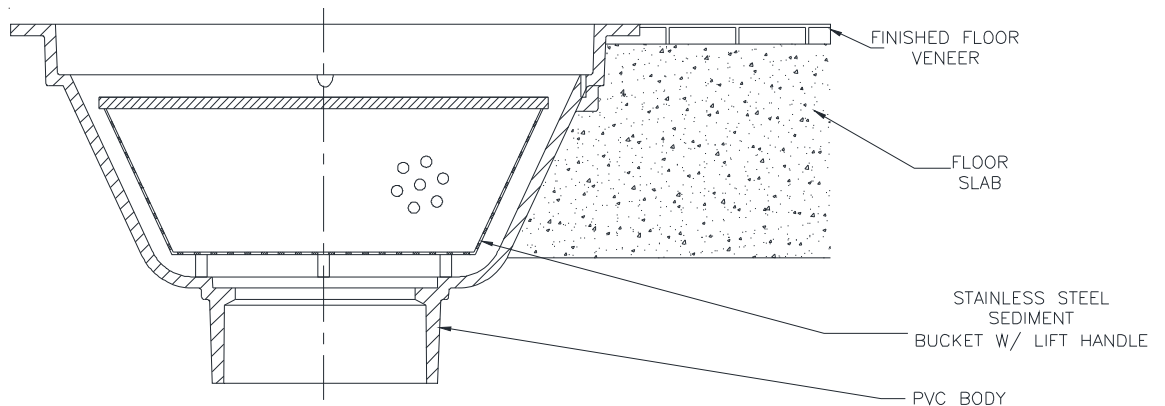
Recommended for sanitary installations. The radiused body is constructed of PVC with stainless steel Sediment Bucket with 1/4" [6mm] lift handle. Manufactured according to ASME A112.6.7-01

Product	"A" Connections	"C"	"D"
___ FD2370-PV2-YS	2 [51] PVC Hub	5-5/8 [143]	7 [178]
___ FD2370-PV3-YS	3 [76] PVC Hub	5-5/8 [143]	7-3/4 [197]
___ FD2370-PV4-YS	4 [102] PVC Hub	5-5/8 [143]	8 [203]

Options:

- ___ -F Full Grate
- ___ -H 1/2 Grate
- ___ -T 3/4 Grate

Typical Installation



* Regularly furnished unless otherwise specified.