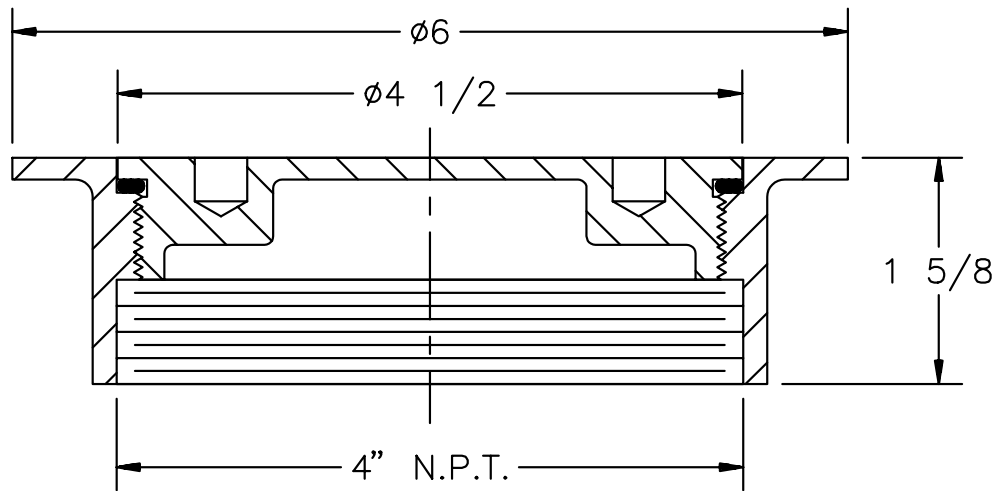




**Z-1745-75**  
**FLOOR CLEANOUT WITH O-RING SEAL PLUG**

**TAG** \_\_\_\_\_

Dimensional Data (inches and [ mm ]) are Subject to Manufacturing Tolerances and Change Without Notice



**ENGINEERING SPECIFICATION:** ZURN Z-1745-75 All Type 304 (CF8) stainless steel cleanout body and plug with O-ring seal, Plug is scoriated with satin finish. Spanner wrench provided for each plug size.

**PREFIXES**

- \_\_\_\_\_ **Z-** Type 304 (CF8) Stainless Steel\*
- \_\_\_\_\_ **ZC-** Type A-27 Carbon Steel (P.O.A.)
- \_\_\_\_\_ **ZM-** Type 306 (CF8M) Stainless Steel

**SUFFIXES**

- \_\_\_\_\_ **-SW** Bronze Spanner Wrench

<b>REV.</b>	<b>DATE: 3/14/94</b>	<b>C.N. NO. 69586</b>
<b>DWG. NO. P-13964 PRODUCT NO. Z-1745-75</b>		

\*REGULARLY FURNISHED UNLESS OTHERWISE SPECIFIED