



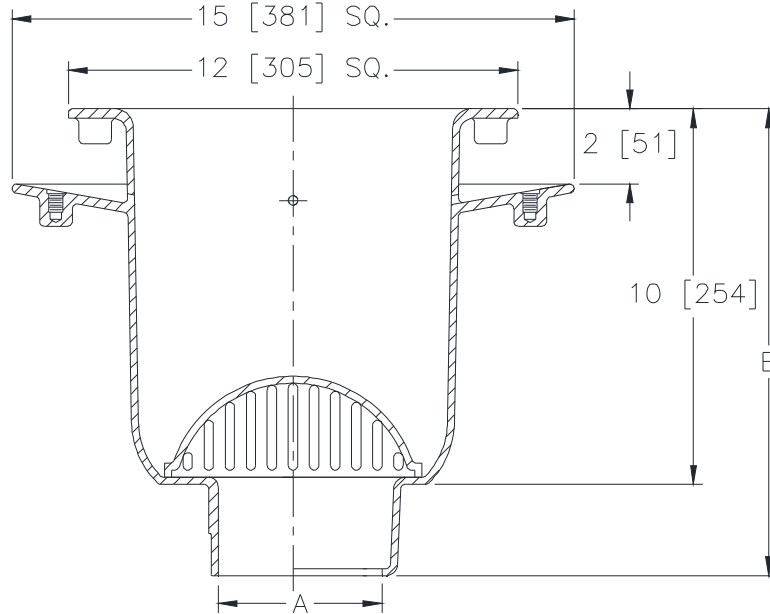
Z1902-K-1

12 [305] X 12 [305] A.R.E. SANI-FLOR RECEPTOR
10 [254] SUMP DEPTH W/ ANCHOR FLANGE & (LESS)
GRATE

SPECIFICATION SHEET

TAG _____

Dimensional Data (inches and [mm]) are Subject to Manufacturing Tolerances and Change Without Notice



A - Pipe Size In. [mm]	Approx Wt. Lbs. [kg]
2, 3, 4 [51, 76, 102]	32 [12]

ENGINEERING SPECIFICATION: ZURN Z1902-K-1

Sani-Flor Receptor 12" x 12" x 10" [305mm x 305mm x 254mm] Deep cast iron body less grate with anchor flange, seepage holes, white acid resisting porcelain enamel interior and top, and black ground enamel exterior coating, complete with ABS anti-splash interior bottom dome strainer.

OPTIONS (Check/specify appropriate options)

PIPE SIZE

- 3, 4 [76, 102]
- 2, 3, 4 [51, 76, 102]
- 2, 3, 4 [51, 76, 102]

(Specify size/type) OUTLET

- ___ IC Inside Caulk
- ___ NH No-Hub
- ___ NL Neo-Loc

'E' BODY HT. DIMENSION

Z	ZN / ZS
12-5/8 [321]	13-1/8 [333]
12-5/8 [321]	13-1/8 [333]
12 [305]	12-1/2 [318]

PREFIXES

- ___ Z Cast Iron Body w/ White A.R.E. Interior*
- ___ ZN Cast Iron Body w/ White A.R.E. Interior, 12-1/2 [318] Square N.B. Frame (Add 1/2 [13] to 12 [305] Dim.)
- ___ ZS Cast Iron Body w/ White A.R.E. Interior, 12-1/2 [318] Square Stainless Steel Frame (Add 1/2 [13] to 12 [305] Dim.)

SUFFIXES

- ___ -DX Dex-o-Tex Flange (ZN Only)
- ___ -LD (Less) Bottom Dome Strainer
- ___ -P 1/2 [13] Trap Primer Connection (See Z1023)
- ___ -SA Stabilizer Assembly (See Z1903)
- ___ -TC Neo-Loc Test Cap Gasket
(2, 3, 4 [51, 76, 102] NL Bottom Outlet Only)
- ___ -VPS Vandal-Proof Strainer
- ___ -23 Aluminum Bucket
- ___ -25 White A.R.C. Bucket
- ___ -31 Stainless Steel Mesh Liner for Bucket
- ___ -32 Aluminum Dome Strainer
- ___ -33 White A.R.C. Anti-Splash Bottom Dome Strainer

* Regularly furnished unless otherwise specified.

Zurn Industries, LLC | Specification Drainage Operation
1801 Pittsburgh Avenue, Erie, PA U.S.A. 16502 · Ph. 855-663-9876, Fax 814-454-7929
In Canada | Zurn Industries Limited
3544 Nashua Drive, Mississauga, Ontario L4V 1L2 · Ph. 905-405-8272, Fax 905-405-1292
www.zurn.com

Rev. B
Date: 10/12/2017
C.N. No. 138752
Prod. | Dwg. No. Z1902-K-1