

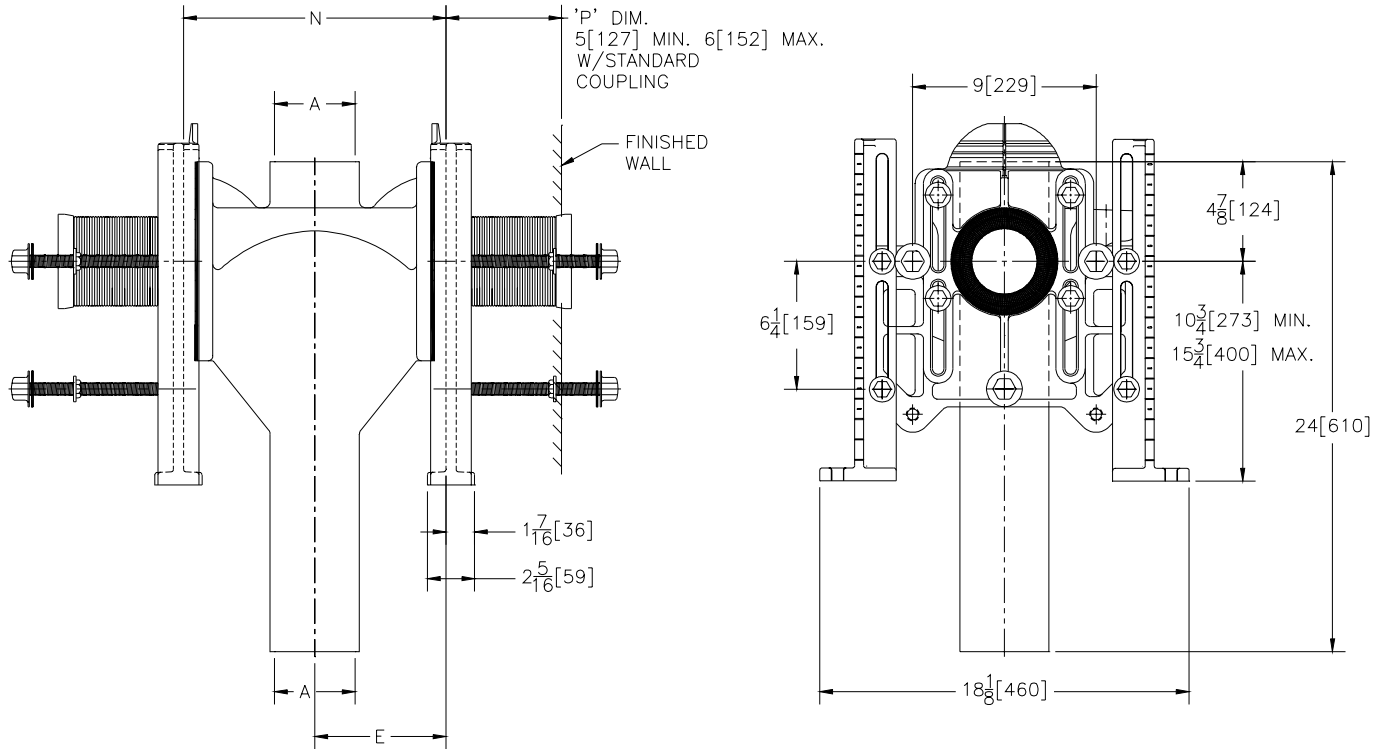


Z-1204-ND-B ADJUSTABLE VERTICAL BLOWOUT-No-Hub

SPECIFICATION SHEET

TAG _____

Dimensional Data (inches and [mm]) are Subject to Manufacturing Tolerances and Change Without Notice



Product No.	Dimensions In Inches [mm]					Approx. Wt. Lbs. [kg]
	A	D	E	H	N	
Z-1204-ND-B4	4[102]	5[127]	6-5/8[168]	5-1/2[140]	13-1/4[336]	134[61]
Z-1204-ND-B5	5[127]	5-1/2[140]	6-5/8[168]	6-1/2[165]	13-1/4[336]	140[63]
Z-1204-ND-B6	6[152]	6[152]	7-1/8[181]	6-1/2[165]	14-1/4[362]	145[66]

Note:

1. Min. 'P' Dim. Obtainable=2 [51]
2. Feet bolted to floor using min. 1/2 [13] dia. bolts and back slots on carrier feet.

ENGINEERING SPECIFICATION: ZURN Z-1204-ND-B() Adjustable, vertical blowout water closet "Rigid System" with () size No-Hub connections and () side inlets. Complete with Dura-Coated cast iron double main fitting, with 2 [51] vent, adjustable gasketed face plates, universal floor mounted foot supports, corrosion resistant adjustable ABS couplings with integral test caps, fixture bolts, trim, and stud protectors. Bonded "Neo-Seal" gaskets.

PRODUCT/DEFINITION

_____ Z-1204-ND-B No-Hub Stack, Double Inlets, 2[51] Vent

PREFIXES

- _____ Z- D.C.C.I. System with Zurn "ZZ" Adjustable Coupling
 _____ ZQ- D.C.C.I. System with NPT Face Plate, Non-Adjustable Coupling

SUFFIXES

- | | |
|--|--|
| <p>_____ -A Auxiliary Support Assembly
(For P-Dim. greater than 18 [457])</p> <p>_____ -CC Corrosion Resistant 6 [152] Long Cast Iron Coupling</p> <p>_____ -CL Coupling Length Greater than 12 [305]
(Specify length if greater than 6 [152])</p> <p>_____ -F Floor Mounted Back Outlet, Fixture Supports</p> <p>_____ -G Galvanized Cast Iron</p> <p>_____ -JJ Two 2 [51] Auxiliary Inlets</p> <p>_____ -JL 2 [51] Left Hand Auxiliary Inlet</p> <p>_____ -JR 2 [51] Right Hand Auxiliary Inlet</p> <p>_____ -M Auxiliary Foot Support
(For P-Dim. 10 [254] to 18 [457])</p> | <p>_____ -VP Vandal Proof Trim</p> <p>_____ -W Adapter Assembly for Womens Urinal</p> <p>_____ -29 Mechanical Test Cap Assembly
(Previously Z-1210-29)</p> <p>_____ -45 Finishing Frame for Siphon Jet Closet
(For Blowout System specif -45-B)
(Previously Z-1210-45)</p> <p>_____ -50 Flush Valve Supply Support for W.C.
(Previously Z-1210-50)</p> <p>_____ -61 "ZZ" Coupling Wrench</p> |
|--|--|

REV. A	DATE: 4/15/98	C.N. NO. 80215
DWG. NO. 60908	PRODUCT NO. Z-1201-ND-B	