

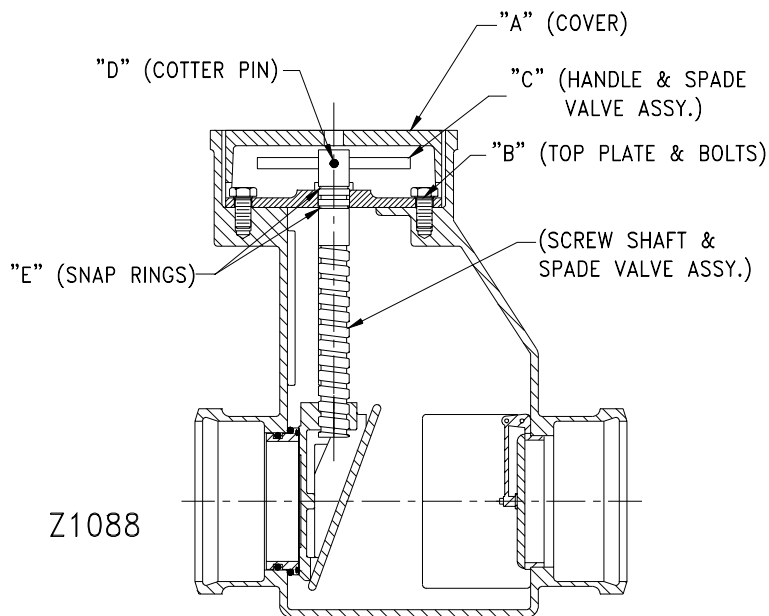


# Z1088 To Z1088-24

## Gate Type BACKWATER VALVE EXTENSION ASSEMBLY INSTRUCTIONS

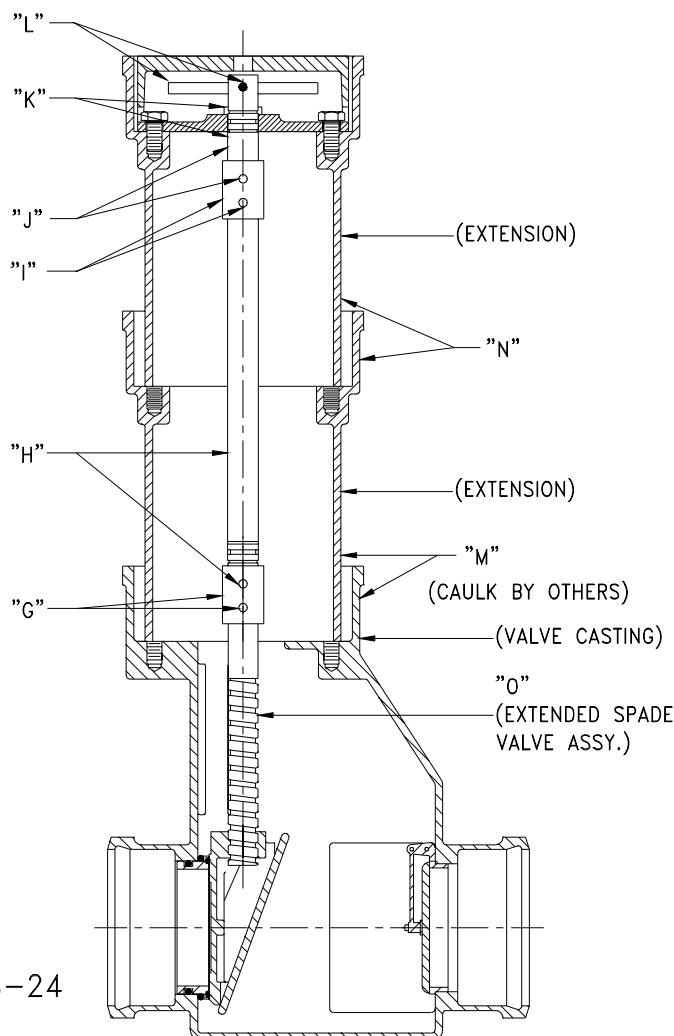
### See Z1088

- A. Remove cover.
- B. Remove (4) bolts securing top plate.
- C. Grasp handle and pull out the complete spade valve assemble.
- D. Remove the cotter pin holding the "Tee Handle" to the screw shaft and remove "Tee Handle".
- E. Remove snap rings from screw shaft.  
One snap ring is on top of the top plate and the other is underneath the top plate.
- F. Pull the top plate off of the screw shaft.



### See Z1088-24

- G. Install connector to screw shaft and put in pin to secure connector to screw shaft.
- H. Install shaft extension into connector and put pin in to secure extension to connector.
- I. Install connector to shaft extension and put in pin to secure connector to shaft extension.
- J. Install handle end shaft extension into connector and put in pin to secure extension into connector.
- K. Push top plate onto handle end shaft extension and replace snap rings onto the shaft.
- L. Install "tee handle" through the handle end shaft extension and replace cotter pin.
- M. Install extension into valve casting and caulk.
- N. Install extension into 1st extension and caulk.
- O. Insert the extended spade valve assembly into the extended valve casting. Orient the spade valve so it will go into track and push top plate down. Replace (4) bolts securing top plate.
- P. Replace cover.



Form # T14

Date: 10/25/02

C.N. No. 90018

Rev.

ZURN INDUSTRIES, INC. ♦ SPECIFICATION DRAINAGE OPERATION ♦ 1801 Pittsburgh Ave. ♦ Erie, PA 16514

Phone: 814455-0921 ♦ Fax: 814454-7929 ♦ World Wide Web: www.zurn.com

In Canada: ZURN INDUSTRIES LIMITED ♦ 3544 Nashua Drive ♦ Mississauga, Ontario L4V1L2 ♦ Phone: 905405-8272 Fax: 905405-1292