



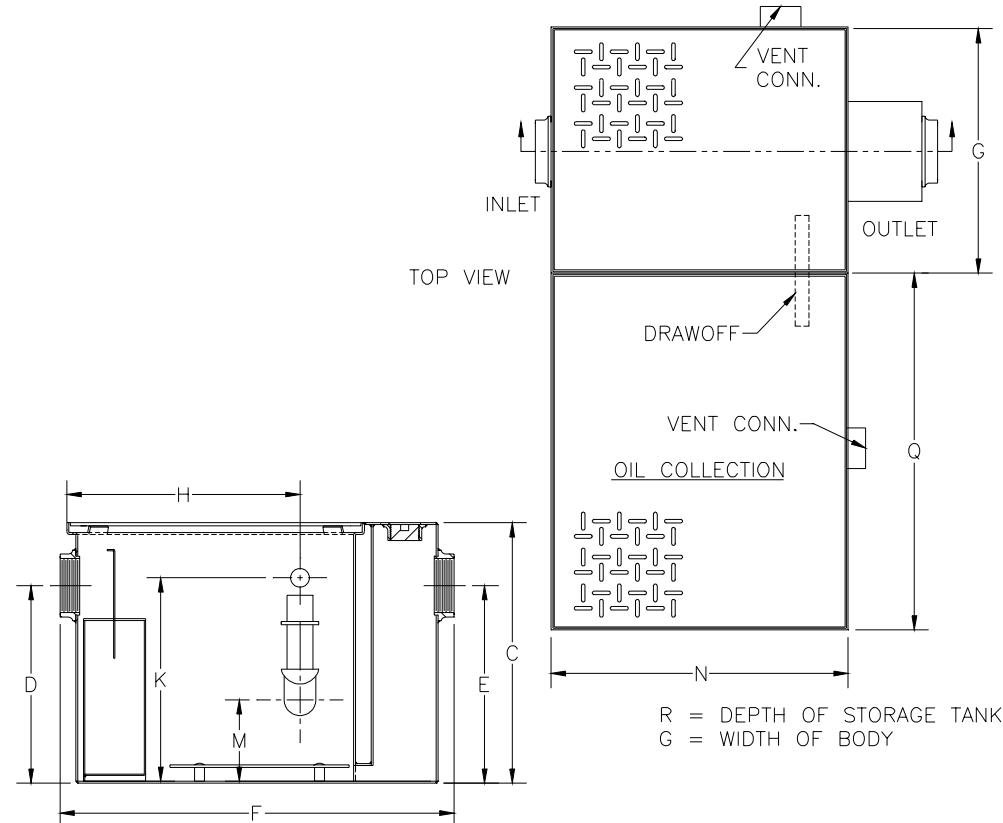
Z-1186-110

OIL INTERCEPTOR WITH INTEGRAL STORAGE TANK

SPECIFICATION SHEET

TAG _____

Dimensional Data (inches or [mm]) are Subject to Manufacturing Tolerances and Change Without Notice



Size	Inlet/Outlet Size**	Flow Rate G.P.M.	Storage Tank Cap. Gal. [l]	Approx. Wt. Lbs. [kg]	Dimensions In Inches									
					C	D/E	F	G	H	K	M	N	Q	R
600	3 [76]	25 [58]	50 [189]	190 [86]	18 1/4 [464]	11 3/4 [298]	27 1/2 [699]	17 1/4 [438]	16 [406]	15 1/4 [387]	6 1/4 [159]	17 [432]	25 [635]	40 [1016]

ENGINEERING SPECIFICATION: ZURN Z-1186-110 Acid Resistant Coated interior and exterior fabricated steel oil interceptor, with bronze cleanout plug and visible double wall trap seal, removable combination pressure equalizing/flow diffusing baffle and sediment bucket, horizontal baffle, oil drawoff, vent connections, secured gasketed non-skid cover, complete with flow control fitting and integral storage tank. Regularly furnished with inlet and outlet in high position.

OPTIONS (Check/specify appropriate options)

PREFIXES

_____ **Z-** Acid Resistant Coated Fabricated Steel*

SUFFIXES

_____ **-E** Acid Resistant Coated interior and exterior fabricated steel extension section. (Specify 'C' Dim. required) for recessed installation.

_____ **-K** Anchor flange 1 3/4 [44] down from top and 2" [51] wide. A 3" [76] minimum extension height required when anchor flange (-K) option is specified.

_____ **-KC** Anchor flange 1-3/4 [44] down from top and 2" [51] wide with clamp collar.

** Inlet and outlet size shown indicates standard operating size and flow control setting. Size #600 will have 4" [102] connections reduced to 3" [76] as standard. If changed, flow control must be adjusted accordingly.

REV.	DATE: 5/8/01	C.N. NO. 87642
DWG. NO. P-14827		PRODUCT NO. Z-1186-110

*REGULARLY FURNISHED UNLESS OTHERWISE SPECIFIED