



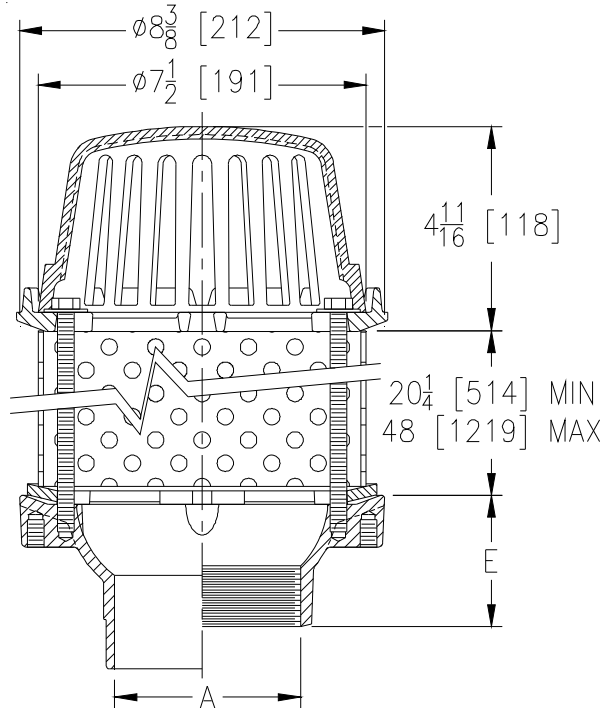
# Z125-271

SPECIFICATION SHEET

8-3/8 [213] DIAMETER ROOF DRAIN W/ STAINLESS STEEL PERFORATED EXTENSION GREATER THAN 20 [508]

TAG \_\_\_\_\_

Dimensional Data (inches and [ mm ]) are Subject to Manufacturing Tolerances and Change Without Notice



A- Pipe Size In.	Approx. Wt. Lbs. [kg]	Dome Open Area Sq. In. [cm <sup>2</sup> ]
2-3-4 [51-76-102]	14 [6]	43 [277]

**ENGINEERING SPECIFICATION: ZURNZ125-271**

8-3/8 [213] Diameter roof drain, Dura-Coated cast iron body with combination membrane flashing clamp/gravel guard, secondary clamp collar, stainless steel perforated extension and low silhouette Poly-Dome. Perforated extension to be made of #14 ga. stainless steel.

**OPTIONS** (Check/specify appropriate options)

**PIPE SIZE**

- 2-3-4 [51-76-102]
- 2 [51]
- 3 [76]
- 4 [102]
- 2-3-4 [51-76-102]
- 2-3-4 [51-76-102]

(Specify size/type) **OUTLET**

- \_\_\_ IC Inside Caulk
- \_\_\_ IP Threaded
- \_\_\_ IP Threaded
- \_\_\_ IP Threaded
- \_\_\_ NH No-Hub
- \_\_\_ NL Neo-Loc

**'E' BODY HT. DIM.**

- 3-7/8 [98]
- 2-7/16 [62]
- 2-3/4 [70]
- 3 [76]
- 4 [102]
- 3-13/16 [97]

**PREFIXES**

- \_\_\_ Z D.C.C.I. Body with Poly-Dome (4-1/4 [108] Dome Height)\*
- \_\_\_ ZA D.C.C.I. Body with Aluminum Dome (4-1/4 [108] Dome Height)
- \_\_\_ ZC D.C.C.I. Body with Low Silhouette Cast Iron Dome (4-1/4 [108] Dome Height)
- \_\_\_ ZRB D.C.C.I. Body with Plain Bronze Dome (3-1/4 [83] Dome Height)

**SUFFIXES**

- \_\_\_ -AR Acid Resistant Epoxy Coated Finish
- \_\_\_ -BS Bronze Mesh Screen Over Dome
- \_\_\_ -C Underdeck Clamp
- \_\_\_ -DP Top-Set® Roof Deck Plate (Replaces both the -C and -R)
- \_\_\_ -DR Top-Set® Drain Riser
- \_\_\_ -E 2 [51] High Static Extension (Specify Height)
- \_\_\_ -EB Top-Set® Adjustable Extension Assembly
- \_\_\_ -FG Flush Grate (Replaces Dome Strainer)
- \_\_\_ -G Galvanized Cast Iron
- \_\_\_ -R Roof Sump Receiver
- \_\_\_ -SS Stainless Mesh Screen Over Dome
- \_\_\_ -TC Neo-Loc Test Cap Gasket (2 - 4 [51 - 102] NL Bottom Outlet Only)
- \_\_\_ -VP Vandal-Proof Secured Top
- \_\_\_ -XJ Vertical Expansion Joint (See Z190)
- \_\_\_ -84 Stainless Steel Perforated Gravel Guard
- \_\_\_ -89 2 [51] High External Water Dam
- \_\_\_ -90 90° Threaded Side Outlet Body (2 - 4 [51 - 102])

\* Regularly furnished unless otherwise specified.