



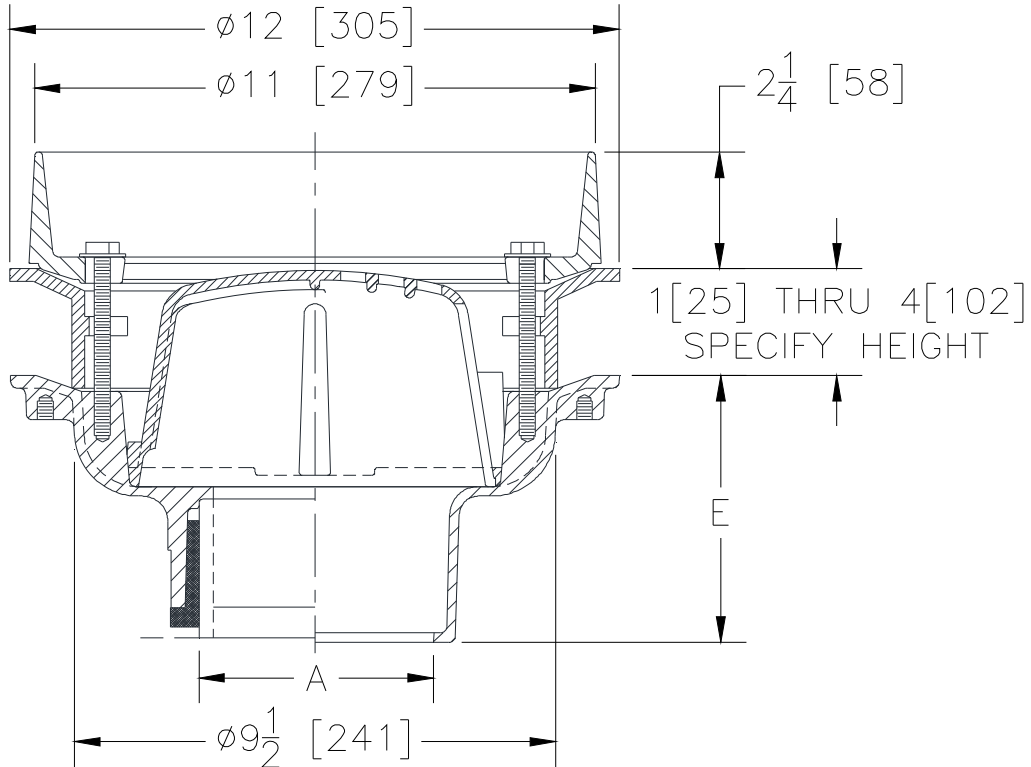
Z122-E

12 [305] DIAMETER DECK
RECEPTOR DRAIN WITH STATIC EXTENSION

SPECIFICATION SHEET

TAG _____

Dimensional Data (inches and [mm]) are Subject to Manufacturing Tolerances and Change Without Notice



A- Pipe Size In. [mm]	Approx. Wt. Lbs. [kg]
2,3,4,6 [51,76,102]	31 [14]

ENGINEERING SPECIFICATION: ZURNZ122-E

12" [305mm] Diameter deck receptor drain, Dura-Coated cast iron body with combination membrane flashing clamp/deck receptor frame, static extension and internal dome strainer.

OPTIONS (Check/specify appropriate options)

PIPE SIZE

2, 3, 4, 6 [51, 76, 102, 152]
2, 3, 4 [51, 76, 102]

(Specify size/type) **OUTLET**

_____ NH No-Hub
_____ NL Neo-Loc

E BODY HT. DIM.

5-1/4 [133]
4-5/8 [117]

PREFIXES

_____ Z D.C.C.I. Body with Collar*

SUFFIXES

- _____ -AR Acid Resistant Epoxy Coated
- _____ -C Underdeck Clamp
- _____ -DP Top-Set® Deck Plate (Replaces both the -C and -R)
- _____ -EB Top-Set® Adjustable Extension Assembly
- _____ -G Galvanized Cast Iron
- _____ -HD High Dome
- _____ -R Roof Sump Receiver
- _____ -TC Neo-Loc Test Cap Gasket (2,3,4 [51,76,102] NL Bottom Outlet Only)

* Regularly furnished unless otherwise specified.