



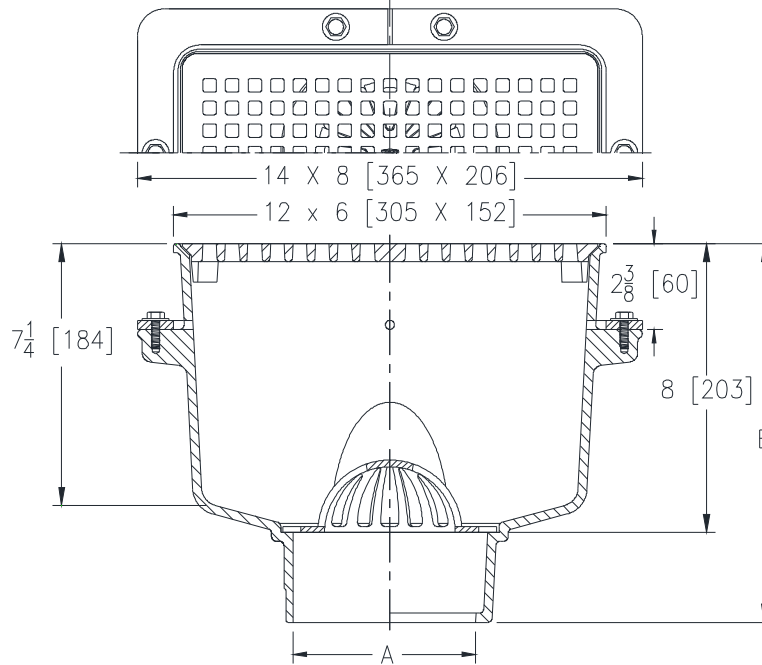
Z1940-KC

12 X 6 [305 X 152] A.R.C. SANI-FLOR RECEPTOR 8 [203]
SUMP DEPTH W/ ANCHOR FLANGE, SEEPAGE HOLES
AND CLAMP COLLAR

SPECIFICATION SHEET

TAG _____

Dimensional Data (inches and [mm]) are Subject to Manufacturing Tolerances and Change Without Notice



A Pipe Size In. [mm]	Approx Wt. Lbs. [kg]	Grate Open Area Sq. In. [cm ²]
2,3,4 [51,76,102]	32 [15]	17 [110]

ENGINEERING SPECIFICATION: ZURN Z1940-KC

Sani-Flor Receptor 12" [305mm] x 6" [152mm] x 8" [203mm] deep cast iron body with anchor flange with seepage holes and clamp collar, rectangular square hole light-duty grate, with white acid resisting epoxy coated interior and top, complete with white ABS anti-splash interior bottom dome strainer.

OPTIONS (Check/specify appropriate options)

PIPE SIZE

2,3,4 [51,76,102]
2,3,4 [51,76,102]
2,3,4 [51,76,102]

OUTLET (Specify size/type)

___ IC Inside Caulk
___ NH No-Hub
___ NL Neo-Loc

'E' BODY HT. DIMENSION

Z	ZN
10-1/2 [267]	10-7/8 [276]
10-1/2 [267]	10-7/8 [276]
10 [254]	10-3/8 [264]

PREFIXES

___ Z Cast Iron Body with White A.R.C. Interior*
___ ZN Cast Iron Body with White A.R.C. Interior, 13 x 7 [330 x 178] N.B. Frame and Full Grate with 3/8 [10] Square Openings

SUFFIXES

___ -LD (Less) Bottom Dome Strainer	___ -11 Vandal-Proof Secured Grate (ZN Only)
___ -P 1/2 [13] Trap Primer Connection	___ -15 Solid Loose Set Cover
___ -S Secondary Strainer	___ -23 Aluminum Bucket
___ -TC Neo-Loc Test Cap Gasket (2,3,4 [51,76,102] NL Bottom Outlet Only)	___ -25 White A.R.C. Bucket
___ -1 (Less) Grate	___ -31 Stainless Steel Mesh Liner for Bucket
___ -2 1/2 Grate	___ -32 Aluminum Dome Strainer
___ -3 3/4 Grate	___ -33 White A.R.C. Anti-Splash Bottom Dome Strainer
___ -4 Full Grate with Square Center Opening	
___ -6 Grate w/ 6 [152] Dia. x 6 [152] High Funnel	
___ -8 Grate w/ 8-7/8 x 3-5/8 x 3-3/4 [225 x 92 x 95] High Oval Funnel	

* Regularly furnished unless otherwise specified.