

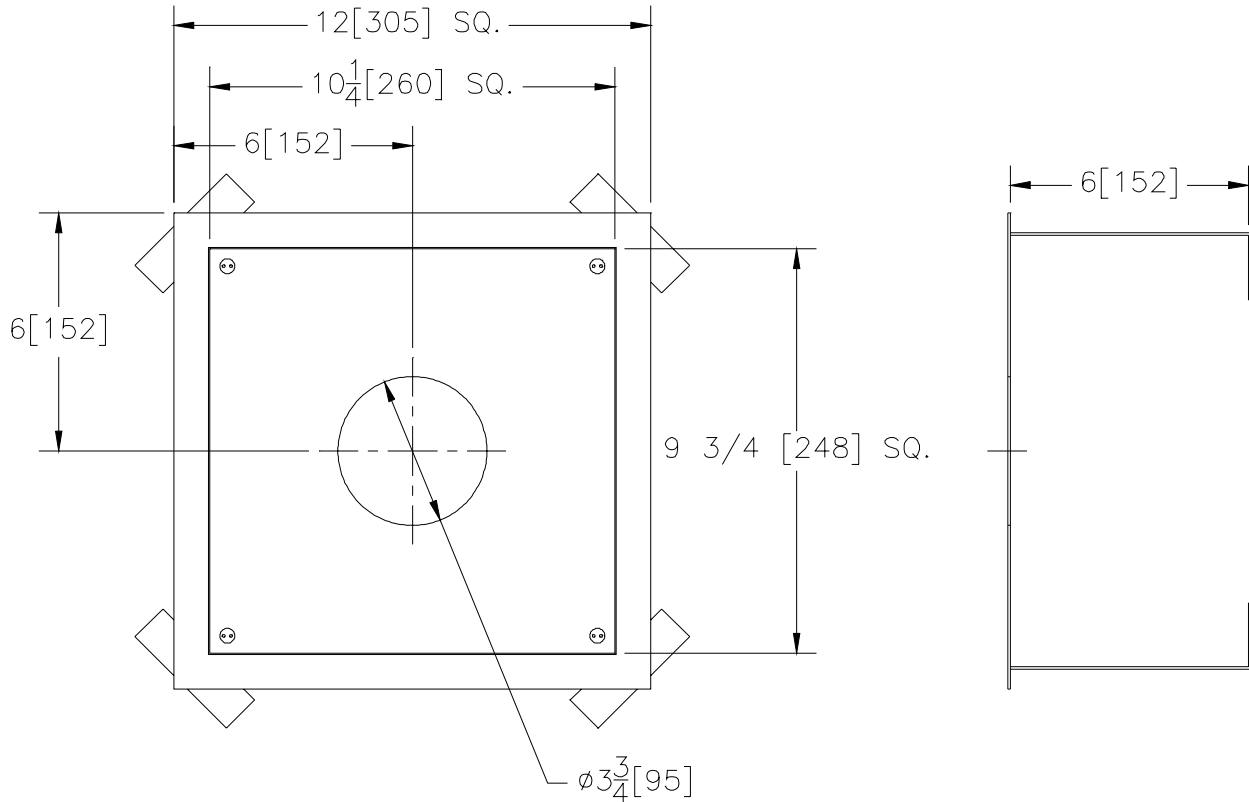


Z-1467-75 FLANGED ACCESS BOX

SPECIFICATION SHEET

TAG _____

Dimensional Data (inches and [mm]) are Subject to Manufacturing Tolerances and Change Without Notice



A-Opening Size Inches	Approx. Wt. Lbs. [kg]
9 3/4 x 9 3/4 [248 x 248]	20 [9]

ENGINEERING SPECIFICATION: ZURN ZS-1467-75 Square flanged wall access box for shower valve. Smooth, stainless steel panel secured with vandal proof screws to flush over-wall frame.

OPTIONS (Check/specify appropriate options)

OPENING	DEPTH
9 3/4 Sq. [248]	6 [152]

PREFIXES

___ ZS- Type 304 Stainless Steel*

REV.	DATE: 11/22/95	C.N. NO. 73483
DWG. NO. P-14266 PRODUCT NO. Z-1467-75		

*REGULARLY FURNISHED UNLESS OTHERWISE SPECIFIED