



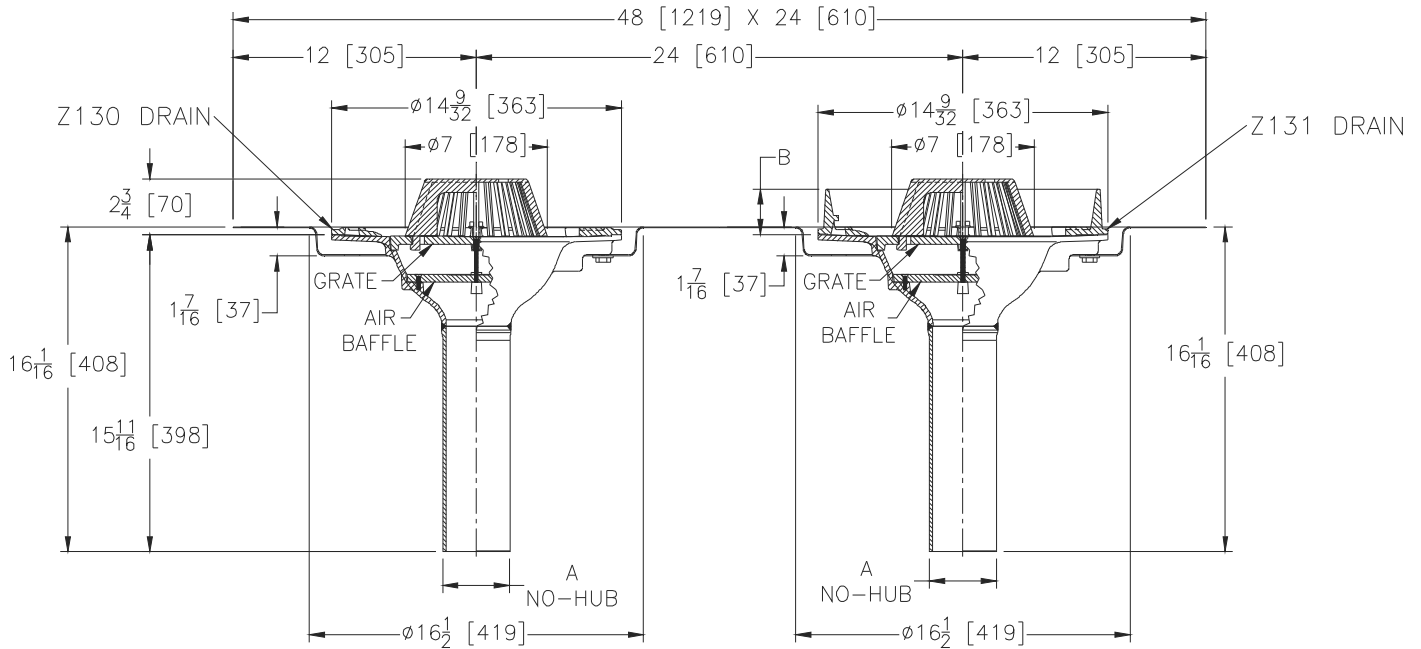
Z163-83

Ø14-9/32 [363] COMBINATION SIPHONIC MAIN ROOF & OVERFLOW DRAIN W/ DOUBLE TOP-SET® DECK PLATE

SPECIFICATION SHEET

TAG _____

Dimensional Data (inches and [mm]) are Subject to Manufacturing Tolerances and Change Without Notice



A - Pipe Size In.	Approx. Wt. Lbs. [kg]	Dome Open Area Sq. In. [cm ²]
2-3-4 [51-76-102]	88 [40]	28 [181]

ENGINEERING SPECIFICATION: ZURN Z163-83

14-9/32" [363mm] Diameter siphonic roof drain and overflow drain, Dura-Coated Ductile iron bodies with membrane flashing clamp, double Top-Set® deck plate, and low silhouette Poly-Domes. Complete with vandal-proof secured, Dura-coated cast iron air restricting baffle and grate.

OPTIONS (Check/specify appropriate options)

PIPE SIZE

- 2 [51]
- 3 - 4 [76 - 102]

(Specify size) **OUTLET**

- _____ NH No-Hub
- _____ NH No-Hub

'B' DIMENSION

- 2-1/4 [57]
- 3-5/16 [84]

PREFIXES

- _____ Z Dura-Coated Ductile Iron Body with Poly-Dome*

SUFFIXES

- _____ -DR Top-Set® Drain Riser
- _____ -EB Top-Set® Adjustable Extension Assembly
- _____ -LD Less Dome
- _____ -LG Less Dome & Grate
- _____ -VP Vandal Proof Secured Top
- _____ -84 Stainless Steel Perforated Gravel Guard

* Regularly furnished unless otherwise specified.