

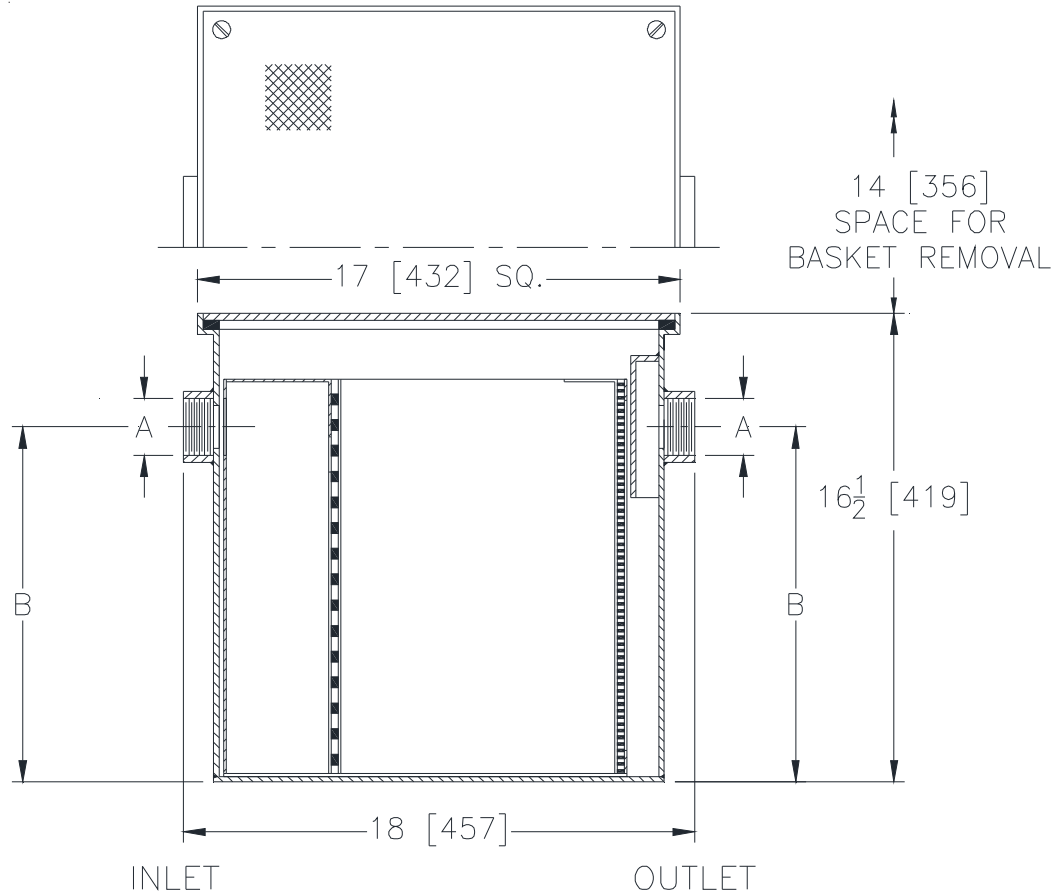


Z1181-100
SOLIDS INTERCEPTOR W/HIGH INLET

SPECIFICATION SHEET

TAG _____

Dimensional Data (inches and [mm]) are Subject to Manufacturing Tolerances and Change Without Notice



Dimensions in In. [mm]		Flow Rate GPM [LPM]	Approx. Wt. Lbs. [kg]
'A' Inlet/Outlet	'B'		
1-1/2, 2** [38,51]	12-1/2 [318]	30 [113]	40 [18]
3 [76]	12 [305]	30 [113]	40 [18]

ENGINEERING SPECIFICATION: ZURN Z1181-100

Large capacity Acid Resistant Coated interior and exterior fabricated steel solids interceptor, in lieu of fixture 'P' trap, for on-floor or flush with floor installation. Furnished with a removable Acid Resistant Coated fabricated steel bucket having removable primary (3/8" [10mm] dia. holes) and secondary (3/32" [2mm] dia. holes) flow diffusing/intercepting brass screens, and complete with a top access gasketed secured cover. Regularly furnished with 2" [50mm] inlet and outlet in high position**.

OPTIONS (Check/specify appropriate options)

PREFIXES

___ Z Standard Assembly* (See Engineering Specification)

SUFFIXES

- ___ -CS Custom Screens (Specify material & perforation size required)
- ___ -R Acid Resistant Coated Interior and Exterior Fabricated Steel Recessing Receiver for Recessed Installation is Equipped with Adjustable Support Brackets and Gasketed Non-Skid secured cover with removable Lift Handle
- ___ -SS Stainless Steel Perforated Screens for Bucket (Specify perforation size)
- ___ -YR Replacement Basket Assembly with Perforated Screens

* Regularly furnished unless otherwise specified.