



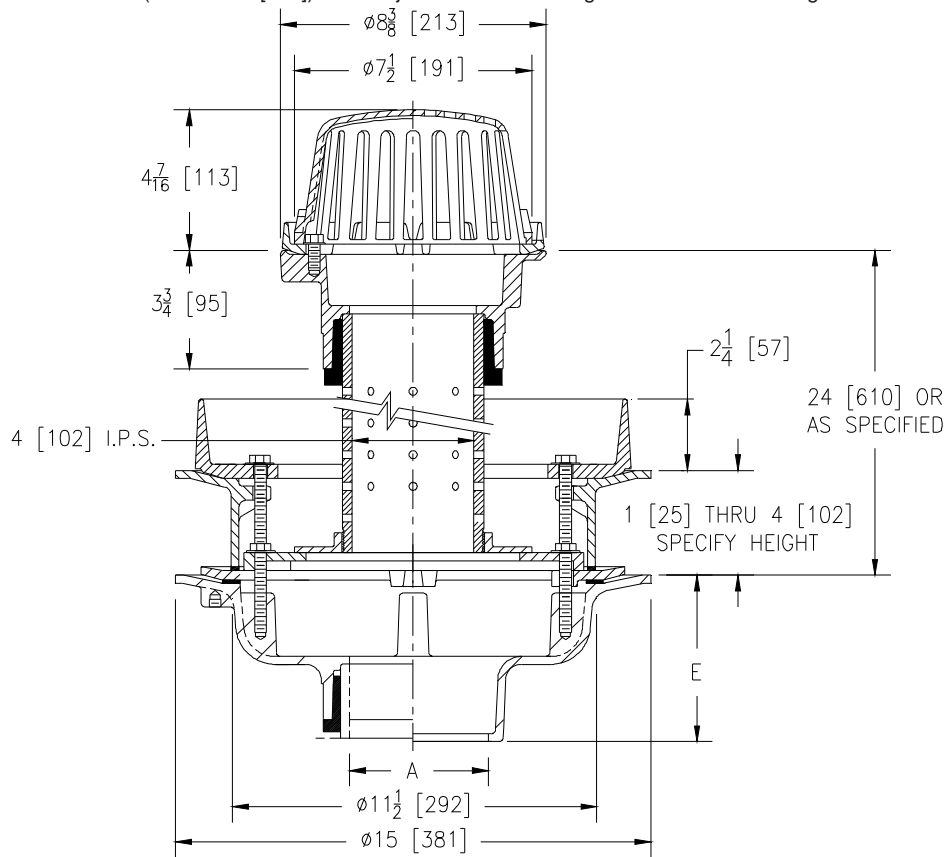
# Z100-286

Ø15 [381] MAIN ROOF DRAIN W/ Ø4 [102] PERFORATED STANDPIPE, Z125 UPPER ASSEMBLY, STATIC EXTENSION, AND 2 [51] EXTERNAL WATER DAM

SPECIFICATION SHEET

TAG \_\_\_\_\_

Dimensional Data (inches and [mm]) are Subject to Manufacturing Tolerances and Change Without Notice



A- Pipe Size In.	Approx. Wt. Lbs. [kg]	Dome Open Area Sq. In. [cm <sup>2</sup> ]
2-3-4 [51-76-102]	68 [31]	43 [277]
5-6 [127-152]	71 [32]	
8 [203]	71 [32]	

### ENGINEERING SPECIFICATION: ZURN Z100-286

Ø15 [381] roof drain. Dura-Coated cast iron body, with combination membrane flashing clamp/gravel guard, Ø4 [102] PVC perforated standpipe, Z125 upper assembly, static extension, and 2 [51] external water dam.

### OPTIONS (Check/specify appropriate options)

#### PIPE SIZE

2-3-4-5-6-8 [51-76-102-127-152-203]  
 2-3-4-5-6-8 [51-76-102-127-152-203]  
 2-3-4-5-6-8 [51-76-102-127-152-203]  
 2-3-4 [51-76-102]  
 6 [152]

#### (Specify size/type) OUTLET

\_\_\_\_\_ IC Inside Caulk  
 \_\_\_\_\_ IP Threaded  
 \_\_\_\_\_ NH No-Hub  
 \_\_\_\_\_ NL Neo-Loc  
 \_\_\_\_\_ NL Neo-Loc

#### E BODY HT. DIM.

5-1/4 [133]  
 3-3/4 [95]  
 5-1/4 [133]  
 4-9/16 [116]  
 5-7/16 [138]

#### PREFIXES

\_\_\_\_\_ Z D.C.C.I. Body with Cast Iron Dome\*  
 \_\_\_\_\_ ZA D.C.C.I. Body with Aluminum Dome

#### SUFFIXES

_____ -AC Angular Underdeck Clamp	_____ -R Roof Sump Receiver
_____ -AR Acid Resistant Epoxy Coated	_____ -SS Stainless Mesh Screen Over Dome
_____ -BS Bronze Mesh Screen Over Dome	_____ -VP Vandal Proof Secured Dome
_____ -C Underdeck Clamp	_____ -XJ Vertical Expansion Joint (See Z190)
_____ -G Galvanized Cast Iron	_____ -90 90° Threaded Side Outlet Body (2 thru 6 [51-152])
_____ -GD Galvanized Cast Iron Dome	_____ -SM S.S. Mesh over Standpipe

\* Regularly furnished unless otherwise specified.