



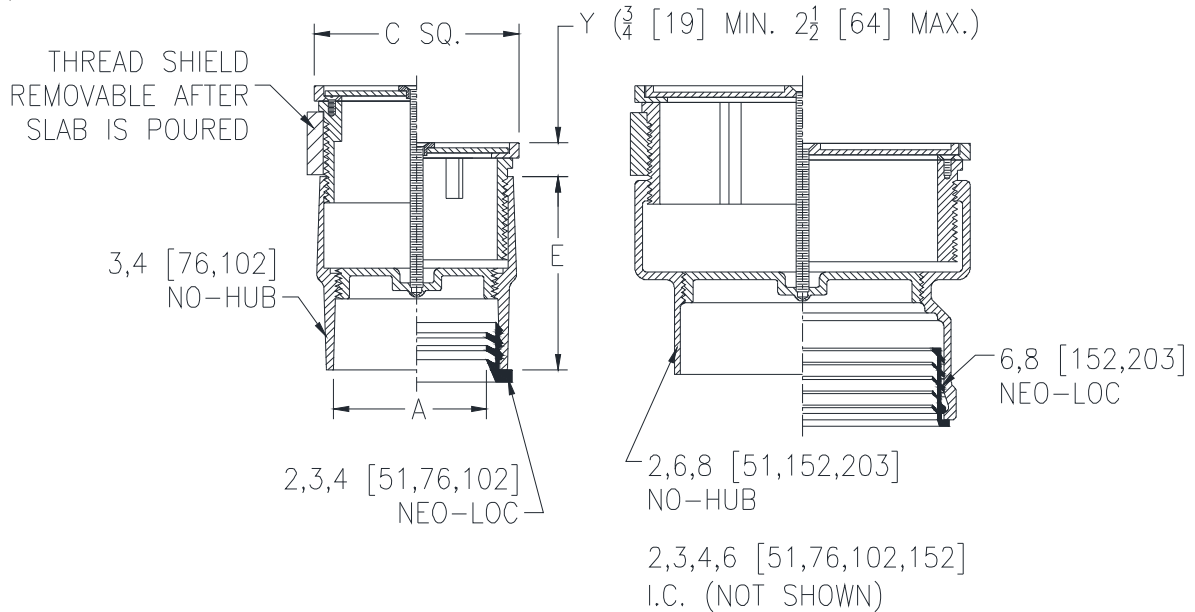
ZN1400-TX

"LEVEL-TROL"
ADJUSTABLE FLOOR CLEANOUT
W/SQUARE TOP RECESSED FOR TILE

SPECIFICATION SHEET

TAG _____

Dimensional Data (inches and [mm]) are Subject to Manufacturing Tolerances and Change Without Notice



ENGINEERING SPECIFICATION: ZURN ZN1400-TX

"Level-Trol" Adjustable floor cleanout, Dura-Coated cast iron body, with gas and watertight ABS tapered thread plug, and square secured top recessed for 1/8 [3] tile (Specify finish ZB, ZN) adjustable to finished floor.

Dimensions In Inches[mm]			Approx. Wt. Lbs. [kg]
A-Pipe Size	C	E	
Inside Caulk			
2 [51]	6-1/8 [156]	6-7/8 [175]	6 [3]
3 [76]	6-1/8 [156]	6-7/8 [175]	8 [4]
4 [102]	7-1/4 [184]	6-7/8 [175]	9 [4]
6 [152]	9-1/4 [235]	6-7/8 [175]	15 [7]
No-Hub			
2 [51]	4-1/8 [105]	4-5/8 [117]	6 [3]
3 [76]	4-1/8 [105]	4-3/4 [121]	8 [4]
4 [102]	5-1/8 [130]	4-3/4 [121]	9 [4]
6 [152]	8-1/4 [210]	4-3/4 [121]	15 [7]
8 [203]	9-1/4 [235]	7-1/2 [191]	21 [10]
Neo-Loc			
2 [51]	4-1/8 [105]	4-3/4 [121]	6 [3]
3 [76]	5-1/8 [130]	4-3/4 [121]	8 [4]
4 [102]	5-1/8 [130]	4-3/4 [121]	9 [4]
6 [152]	8-1/4 [210]	5-7/8 [149]	15 [7]
8 [203]	9-1/4 [235]	6-1/2 [165]	21 [10]

OPTIONS (Check/specify appropriate options)

PREFIXES

- _____ ZB D.C.C.I. w/ Polished Bronze Top
- _____ ZN D.C.C.I. w/ Polished Nickel Bronze Top*

SUFFIXES

- _____ -AR Acid Resisting Epoxy Coated Finish
- _____ -BP Bronze Plug
- _____ -G Galvanized Cast Iron
- _____ -K Anchor Flange
- _____ -KC Anchor Flange with Clamping Collar
- _____ -SG Solid Gasketed Cover
- _____ -TC Neo-Loc Test Cap Gasket (2,3,4 [51,76,102] NL Bottom Outlet Only)
- _____ -VP Vandal-Proof Screw

PIPE SIZE

- 2,3,4,6 [51,76,102,152]
- 2,3,4,6,8 [51,76,102,152,203]
- 2,3,4,6,8 [51,76,102,152,203]

(Specify size/type) OUTLET

- _____ IC Inside Caulk
- _____ NH No-Hub
- _____ NL Neo-Loc

'E' BODY HT. DIM.

- See Chart
- See Chart
- See Chart

* Regularly furnished unless otherwise specified.