

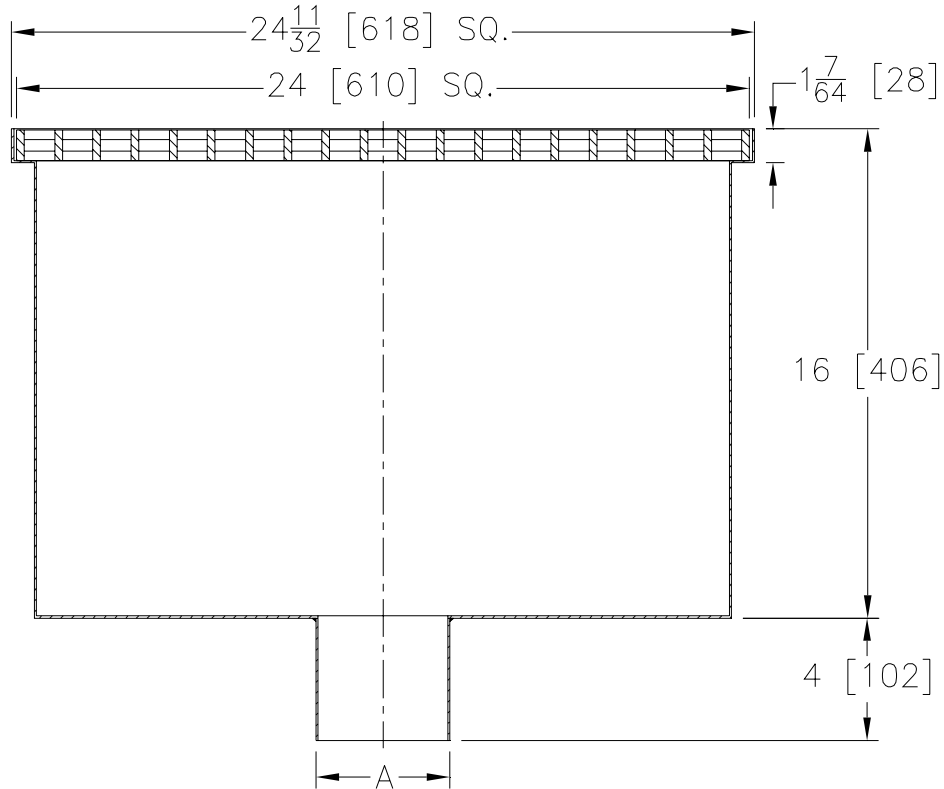


Z1761-76
24 5/16 [618] SQUARE KETTLE DRAIN
W/ 16 [406] SUMP DEPTH

SPECIFICATION SHEET

TAG _____

Dimensional Data (inches and [mm]) are Subject to Manufacturing Tolerances and Change Without Notice



A Pipe Size In.	Approx. Wt. Lbs. [kg]	Grate Open Area Sq. In. [cm ²]
4-6-8[102-152-203]	82 [43]	425 [2742]

ENGINEERING SPECIFICATION: ZURNZS1761-76
 24 5/16 [618] Square x 16 [406] deep, 14 gage, All Type 304 (CF8) Stainless Steel light duty Kettle Drain with, loose set full grate.

OPTIONS (Check/specify appropriate options)

PIPE SIZE _____ (Specify size) **OUTLET**
 4-6-8[102-152-203] _____ NH No-Hub

PREFIXES

- _____ Z A.R.E. Coated Fabricated Steel Body and Type 304 (CF8) Stainless Steel Grate
- _____ ZS Type 304 (CF8) Stainless Steel Body and Grate*
- _____ ZM Type 316 (CF8M) Stainless Steel Body and Grate

SUFFIXES

- _____ -PB Perforated Sediment Bucket

REV.	DATE: 1/17/07	C.N. NO. 96072
DWG. NO. P-15366 PRODUCT NO. Z1761-76		

*REGULARLY FURNISHED UNLESS OTHERWISE SPECIFIED