



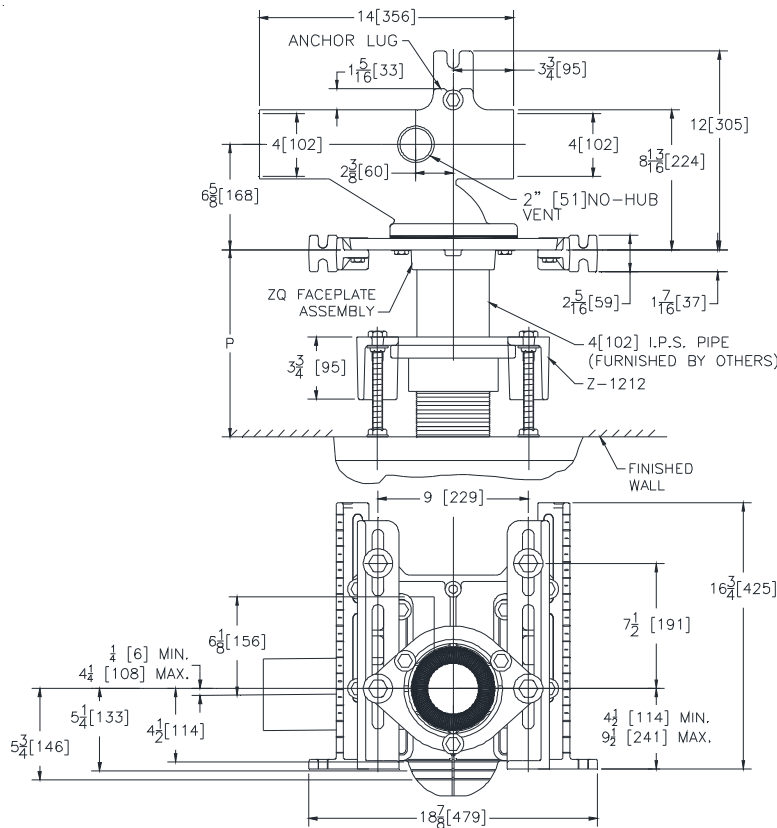
Z1203-N-A

ADJUSTABLE HORIZONTAL SIPHON JET NO-HUB WITH AUXILIARY SUPPORT ASSEMBLY

SPECIFICATION SHEET

TAG _____

Dimensional Data (inches and [mm]) are Subject to Manufacturing Tolerances and Change Without Notice



Product Number	Approx. Wt. Lbs. [kg]
Z1203-NL4-A	96 [43]
Z1203-NR4-A	

Note:

- 'P' = Greater than 18 [457]
- Feet bolted to floor using min. 1/2 [13] dia. bolts and back slots on carrier feet.
- Back anchor foot required for secure installation.

ENGINEERING SPECIFICATION: ZURN Z1203-N()4-A

Adjustable, horizontal siphon jet water closet "Rigid System" with 4" [102mm] No-Hub connections. Complete with Dura-Coated cast iron right hand or left hand main fitting, with 2" [51mm] vent, adjustable gasketed face plate, universal floor mounted foot supports, corrosion resistant adjustable ABS coupling with integral test cap, fixture bolts, trim, stud protectors, rear anchor tie down and bonded "Neo-Seal" gasket. Furnished with Z1212 Auxiliary Support Assembly.

OPTIONS (Check/specify appropriate options)

- _____ Z1203-NR4-A 4 [102] No-Hub Right Hand Inlet with Flow to Left
- _____ Z1203-NL4-A 4 [102] No-Hub Left Hand Inlet with Flow to Right

PREFIXES

- _____ Z D.C.C.I. System with Zurn "ZZ" Adjustable Coupling*

SUFFIXES

- | | |
|--|--|
| _____ -B Blowout Type Fixture Support | _____ -VP Vandal Proof Trim |
| _____ -CC Corrosion Resistant 6 [152] Long Cast Iron Coupling | _____ -45 Finishing Frame for Siphon Jet System (See Z1200-FINFRAME-SJ) |
| _____ -CL Coupling Length Other Than Standard 6 [152] (Specify Length Required) | _____ -50 Flush Valve Supply Support for W.C. (See Z1200-SPLY-SPRT-WC) |
| _____ -F Floor Mounted Back Outlet Closet Connection | |
| _____ -JC 2 [51] Auxiliary Inlet with Sanitary Sweep | |
| _____ -PF Pre-Fab Foot | |
| _____ -PS Pre-Fab Slotted Foot | |
| _____ -RYK Unistrut Pre-Fab Foot | |

* Regularly furnished unless otherwise specified.

Zurn Industries, LLC | Specification Drainage Operation
 1801 Pittsburgh Avenue, Erie, PA U.S.A. 16502 · Ph. 855-663-9876, Fax 814-454-7929
 In Canada | Zurn Industries Limited
 3544 Nashua Drive, Mississauga, Ontario L4V 1L2 · Ph. 905-405-8272, Fax 905-405-1292
www.zurn.com

Rev. C
 Date: 7/10/2018
 C.N. No. 140301
 Prod. | Dwg. No. Z1203-N-A