



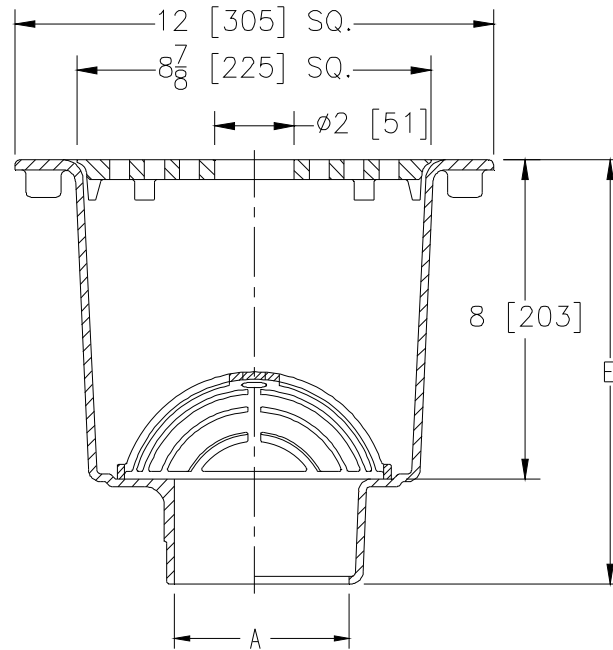
Z1901-4

12 X 12 [305 X 305] A.R.E. SANI-FLOR RECEPTOR
 8 [203] SUMP DEPTH AND FULL GRATE
 WITH 2 [51] DIAMETER CENTER OPENING

SPECIFICATION SHEET

TAG _____

Dimensional Data (inches and [mm]) are Subject to Manufacturing Tolerances and Change Without Notice



A- Pipe Size In. [mm]	Approx Wt. Lbs. [kg]	Grate Open Area Sq. In. [cm ²]
2, 3, 4 [51, 76, 102]	34 [15]	32 [206]

ENGINEERING SPECIFICATION: ZURN Z1901-4

Sani-Flor Receptor 12" x 12" x 8" [305mm x 305mm x 203mm] deep cast iron body and full grate with 2 [51] diameter round center opening, with white acid resisting porcelain enamel interior and top, black ground enamel exterior coating, and white ABS anti-splash interior bottom dome strainer.

OPTIONS (Check/specify appropriate options)

PIPE SIZE

- 3, 4 [76, 102]
- 2, 3, 4 [51, 76, 102]
- 2, 3, 4 [51, 76, 102]

(Specify size/type) **OUTLET**

- ___ IC Inside Caulk
- ___ NH No-Hub
- ___ NL Neo-Loc

'E' BODY HT. DIMENSION

Z	ZN/ZS
10-5/8 [270]	11-1/8 [283]
10-5/8 [270]	11-1/8 [283]
10 [254]	10-1/2 [267]

PREFIXES

- ___ Z Cast Iron Body with White A.R.E. Interior*
- ___ ZN Cast Iron Body with White A.R.E. Interior, 12-1/2 [317] Square Nickel Bronze Frame and Full Grate with 1/2 [13] Openings and 3-1/32 [89] Square Center Opening
- ___ ZS Cast Iron Body with White A.R.E. Interior, 12-1/2 [317] Square Stainless Steel Frame and Full Grate with 1/2 [13] Openings and 3-1/32 Square Center Opening

SUFFIXES

- ___ -DX Dex-O-Tex Flange (ZN only)
- ___ -HD Stainless Steel Frame w/ Extra Heavy-Duty Stainless Steel Grate (ZS only)
- ___ -HP Heel-Proof Grate (ZN only)
- ___ -K Anchor Flange
- ___ -KC Anchor Flange with Seepage Holes and Clamp Collar
- ___ -LD (Less) Bottom Dome Strainer
- ___ -P 1/2 [13] Trap Primer Connection (See Z1023)
- ___ -TC Neo-Loc Test Cap Gasket (2, 3, 4 [51, 76, 102] NL Bottom Outlet Only)
- ___ -VPS Vandal-Proof Strainer
- ___ -11 Vandal-Proof Secured Top (ZN & ZS only)
- ___ -23 Aluminum Bucket
- ___ -25 White A.R.C. Bucket
- ___ -31 Stainless Steel Mesh Liner for Bucket
- ___ -32 Aluminum Dome Strainer
- ___ -33 White A.R.C. Anti-Splash Bottom Dome Strainer

* Regularly furnished unless otherwise specified.