

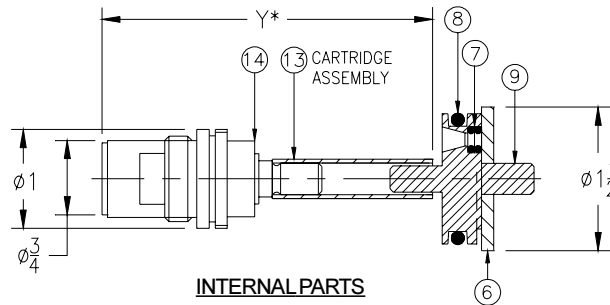
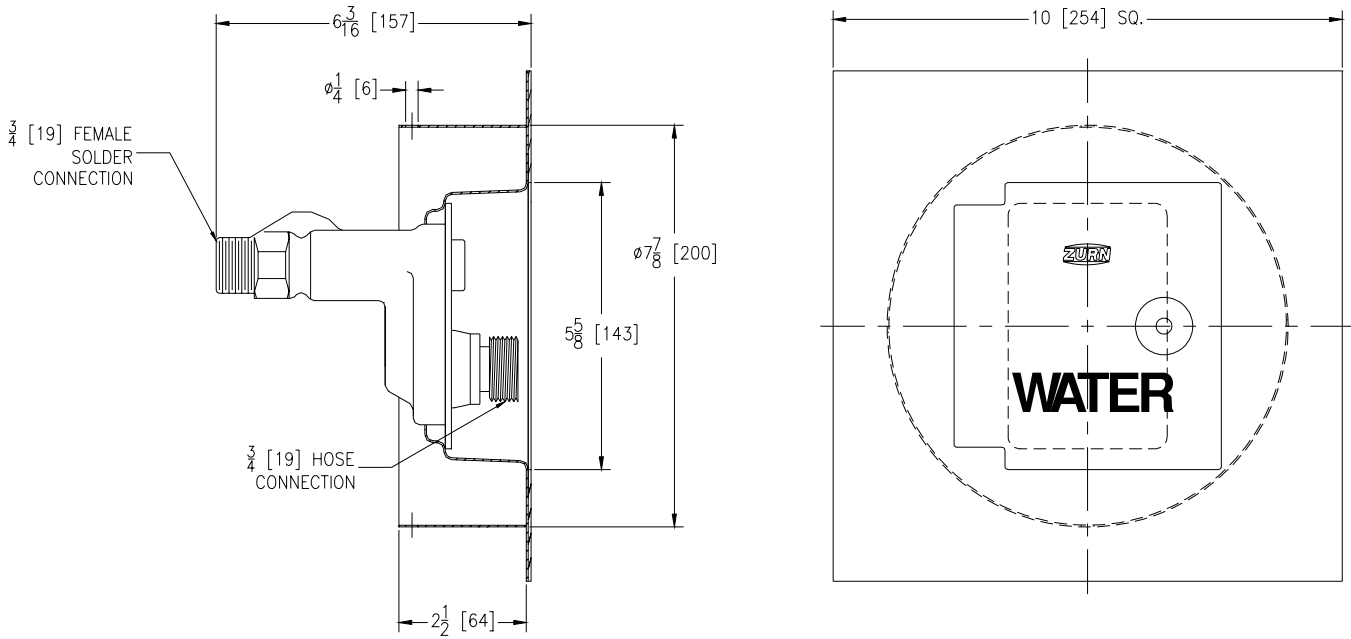


# Z-1330-75

## ECOLOTRON CERAMIC DISC WALL HYDRANT Encased, Anti-Siphon, Automatic Draining, Moderate Climate

TAG \_\_\_\_\_

Dimensional Data (inches and [ mm ]) are Subject to Manufacturing Tolerances and Change Without Notice



Wall Thickness In Inches	Approx. Wt. Lbs. [kg]
8 [203]	4 [2]

**ENGINEERING SPECIFICATION:** ZURN Z-1330-75 Encased Ecolotrol "anti-siphon" moderate climate/interior wall hydrant. For flush installation in 8" dia. cored hole concrete wall. Complete with integral backflow preventer, all bronze interior parts with 1/2 turn ceramic disk cartridge and combination 3/4[19] female solder and 3/4[19] male pipe thread inlet. Stainless steel large flange box and hinged cover with operating key lock and "WATER" stamped on cover.

**OPTIONS** (Check/specify appropriate options)

**SUFFIXES**

- \_\_\_\_ -RK Hydrant Parts Repair Kit
- \_\_\_\_ -1 3/4 [19] Straight Female Inlet Adapter
- \_\_\_\_ -6 Polished Bronze Face
- \_\_\_\_ -10 Polished Nickel Bronze Face
- \_\_\_\_ -12 Cylinder Lock
- \_\_\_\_ -13 3/4 [19] IP 90° Inlet Elbow w/Union Nut

**PARTS LIST**

Item	Name	Quan.
14	Cartridge	1
13	Operating Tube	1
9	Operating Coupling	1
8	O-Ring	1
7	O-Ring	2
6	Retaining Washer	1

\*WHEN ORDERING REPLACEMENT CARTRIDGE ASSEMBLY PARTS SPECIFY 'Y' DIM.

REV.	DATE: 4/26/02	C.N. NO. 88471
DWG. NO. P-14890		PRODUCT NO. Z-1330-75