



Z886-HDS

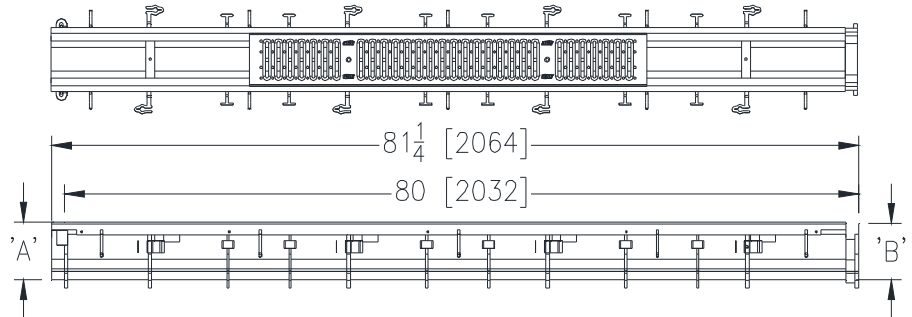
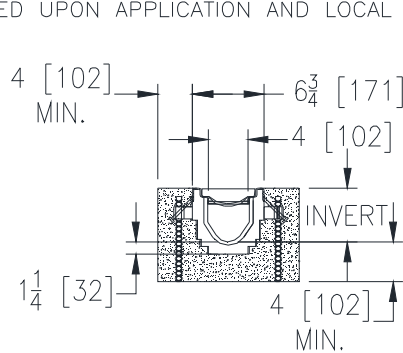
6-3/4[171] WIDE REVEAL TRENCH DRAIN SYSTEM W/ STAINLESS STEEL EXTRA HEAVY-DUTY FRAME ASSEMBLY

SPECIFICATION SHEET

TAG _____

Dimensional Data (inches and [mm]) are Subject to Manufacturing Tolerances and Change Without Notice

SPECIFYING ENGINEER IS RESPONSIBLE FOR
CONCRETE ENCASEMENT AND REINFORCING
BASED UPON APPLICATION AND LOCAL CODES



NOTE: + Actual Channel length is 81 1/4 [2064] to allow for overlap.

ENGINEERING SPECIFICATION: Zurn Z886-HDS

Channels are 80" [2032mm] long, 6-3/4" [171mm] wide reveal and have a 4" [102mm] throat. Modular channel sections are made of 0% water absorbent High Density Polyethylene (HDPE). Channels have a positive mechanical connection between channel sections that will not separate during the installation and mechanically lock into the concrete surround every 10" [254mm]. Channels weigh less than 2.31 lbs. [1.05kg] per linear foot, have a smooth, 1-1/2" [38mm] radiused self cleaning bottom with a Manning's coefficient of .009 and .75% or neutral 0% built in slope. Channels have rebar clips standard to secure trench in its final location. Channels provided with standard RFSC grates that lock down to frame. Stainless steel reinforced slotted grate is 5-3/8" [137mm] wide and 40" [1016mm] long, weighing 5.2 lbs per linear foot [7.9 kg/m]. The grate has an open area of 12.08 sq. inches per linear foot [254 cm²/m]. Grate conforms to DIN rating of C, ANSI rating of Heavy-Duty, ADA compliant* and H-20 load rating. Stainless steel grate conforms to ASTM A351 Type 304 (Grade CF8M Type 316 by request) cast body and A-240 Type 304 (or 316 by request) for grate skin. *Elongated openings shall be placed so that the long dimension is perpendicular to the dominant direction of travel. The .105" [2.66mm] thick Heavy-Duty Stainless Steel Frame Assembly conforms to ASTM specification A-240 (type 304). with 10 - 4" [102mm] long concrete anchors per 80" [2032mm]. Grate lockdown bars are to be integral to the frame. Frames produced in the U.S.A.

PREFIX OPTIONS (Check/specify appropriate options)

___ Z Six-foot, Eight-inch High Density Polyethylene (HDPE)*

SUFFIX OPTIONS (Check/specify appropriate options)

Outlet Adapters Add/Each

- ___ -E1 Closed End Cap
- ___ -E2 2 [51] No-Hub End Outlet
- ___ -E3 3 [76] No-Hub End Outlet
- ___ -E4 4 [102] No-Hub End Outlet
- ___ -E6 6 [152] No-Hub End Outlet
- ___ -U2 2 [51] No-Hub Bottom Outlet
- ___ -U3 3 [76] No-Hub Bottom Outlet
- ___ -U4 4 [102] No-Hub Bottom Outlet
- ___ -U6 6 [152] No-Hub Bottom Outlet

Frame Options

- ___ -LD Light Duty Grates on Heavy Duty Frame
- ___ -SW Sidewall Extension - 9 [229] High
- ___ -SW2 Sidewall Extension - 18 [457] High

Grate Options (Load Classifications are per DIN EN1433)

- ___ -BDC Black Acid Resistant Epoxy Coated Ductile Grate - Class C
- ___ -BDE Black Acid Resistant Epoxy Coated Ductile Grate - Class E
- ___ -DBG Ductile Iron Cast Bar Grate - Class C
- ___ -DC Ductile Iron Solid Cover - Class C
- ___ -DGC Ductile Iron Slotted Grate - Class C
- ___ -DGE Ductile Iron Slotted Grate - Class E
- ___ -HPD Heel-Proof Ductile Slotted Grate - Class B
- ___ -HPDE Heel-Proof Ductile Slotted Grate - Class E
- ___ -RFSC Reinforced Slotted Stainless Steel Grate - Class C*
- ___ -RPSC Reinforced Perforated Stainless Steel Grate - Class C
- ___ -RPSRC Reinforced Perforated Stainless Steel Reversed Punch Grate - Class C

Miscellaneous Options

- ___ -VP Vandal-Proof Lockdown
- ___ -JC Joint Connector

* Regularly furnished unless otherwise specified.

Trench No.	'A' Shallow Inv.	'B' Deep Inv.	Flow		
			(cfs)	(gpm)	(lps)
8601	3.50 [89]	4.10 [104]	0.21	93	6
8602	4.10 [104]	4.70 [119]	0.27	122	8
8603	4.70 [119]	5.30 [135]	0.34	152	10
8603N	5.30 [135]	5.30 [135]	-	-	-
8604	5.30 [135]	5.90 [150]	0.41	183	12
8605	5.90 [150]	6.50 [165]	0.48	214	13
8606	6.50 [165]	7.10 [180]	0.55	245	15
8606N	7.10 [180]	7.10 [180]	-	-	-
8607	7.10 [180]	7.70 [196]	0.62	276	17
8608	7.70 [196]	8.30 [211]	0.69	308	19
8609	8.30 [211]	8.90 [226]	0.76	339	21
8610	8.90 [226]	9.50 [241]	0.83	371	23
8611	9.50 [241]	10.10 [257]	0.90	403	25
8612	10.10 [257]	10.70 [272]	0.97	435	27
8612N	10.70 [272]	10.70 [272]	-	-	-
8613	10.70 [272]	11.30 [287]	1.04	467	29
8614	11.30 [287]	11.90 [302]	1.11	498	31
8615	11.90 [302]	12.50 [318]	1.18	530	33

Decorative Grate Options (Load Classifications are per DIN EN1433)

___ -SBG Stainless Steel Bar Grate - Class E

MADE in the U.S.A. (Load Classifications are per DIN EN1433)

- ___ -BDE-USA Black Acid Resistant Epoxy Coated Ductile Grate - Class E
- ___ -DCE-USA Ductile Iron Solid Cover - Class E
- ___ -DGC-USA Ductile Iron Slotted Grate - Class C
- ___ -DGE-USA Ductile Iron Slotted Grate - Class E
- ___ -HPDE-USA Heel-Proof Ductile Slotted Grate - Class E
- ___ -PPC Plastic Perforated Grate - Class C