



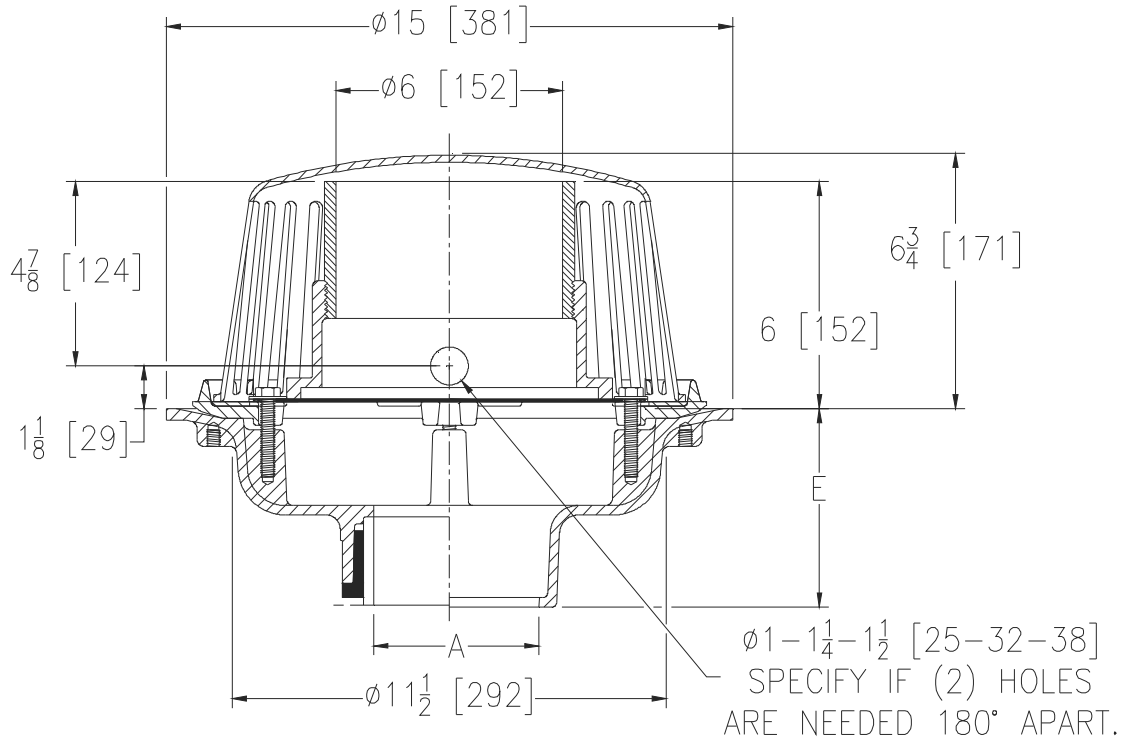
Z100-287

15 [381] DIAMETER MAIN ROOF DRAIN W/ 6 [152] TALL FLOW CONTROLLING WATER DAM AND HIGH ALUMINUM DOME.

SPECIFICATION SHEET

TAG _____

Dimensional Data (inches and [mm]) are Subject to Manufacturing Tolerances and Change Without Notice



A Pipe Size In.	Approx. Wt. Lbs. [kg]
2-3-4 [51-76-102]	36 [16]
5-6 [127-152]	37 [17]
8 [203]	38 [18]

ENGINEERING SPECIFICATION: ZURN Z100-287

15 [381] Diameter roof drain. Dura-Coated cast iron body with combination membrane flashing clamp/gravel guard, gasketed flow control water dam with 1 [25], 1-1/4 [32] or 1-1/2 [38] diameter holes, 5-1/4 [133] standpipe, and 6-3/4 [171] High Aluminum Dome .

OPTIONS (Check/specify appropriate options)

PIPE SIZE

- 2-3-4-5-6-8 [51-76-102-127-152-203]
- 2-3-4-5-6-8 [51-76-102-127-152-203]
- 2-3-4-5-6-8 [51-76-102-127-152-203]
- 2-3-4 [51-76-102]
- 6 [152]

(Specify size/type) **OUTLET**

- _____ IC Inside Caulk
- _____ IP Threaded
- _____ NH No-Hub
- _____ NL Neo-Loc
- _____ NL Neo-Loc

E BODY HT. DIM.

- 5-1/4 [133]
- 3-3/4 [95]
- 5-1/4 [133]
- 4-9/16 [116]
- 5-7/16 [112]

PREFIXES

- _____ Z D.C.C.I. Body

SUFFIXES

- | | |
|---|--|
| _____ -AC Angular Underdeck Clamp | _____ -EB Top-Set® Adjustable Extension Assembly |
| _____ -AR Acid Resistant Epoxy Coated | _____ -G Galvanized Cast Iron |
| _____ -C Underdeck Clamp | _____ -R Roof Sump Receiver |
| _____ -DE Deck Extension | _____ -SC Secondary Clamp Collar |
| _____ -DP Top-Set® Deck Plate (Replaces both the -C and -R) | _____ -VP Vandal-Proof Secured Top |
| _____ -DR Top-Set® Drain Riser | _____ -90 90° Threaded Side Outlet Body (2 thru 6 [51 or 152]) |
| _____ -DX Dex-o-tex Flange | |
| _____ -E Static Extension 1 [25] thru 4 [102] (Specify Ht.) | |

* Regularly furnished unless otherwise specified.