



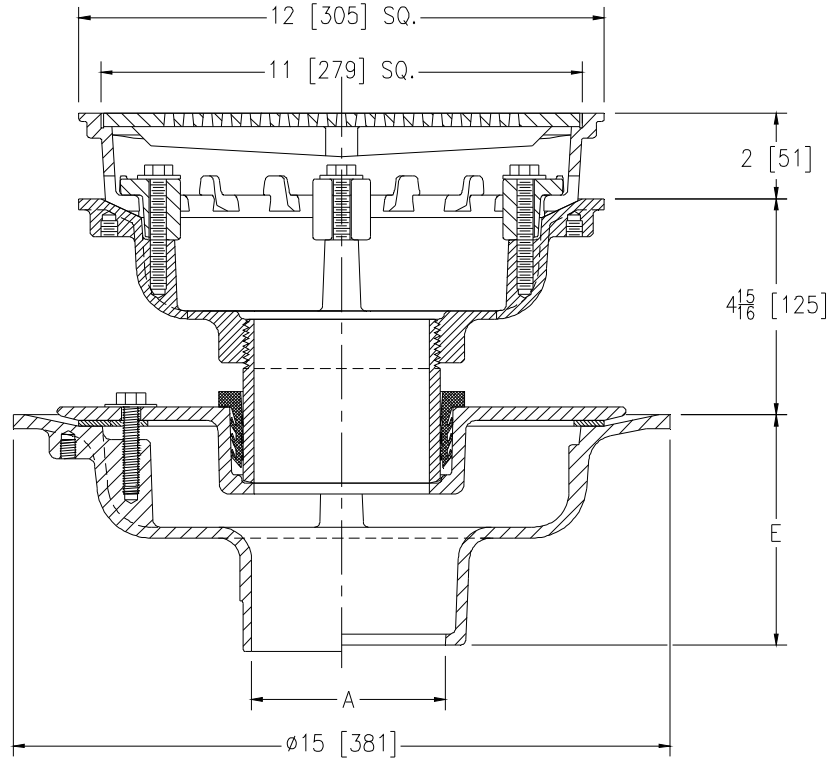
# Z627-103

## ISOLATION DECK ADJUSTABLE HEAVY-DUTY DRAIN W/ UPPER Z154 DRAIN BODY

SPECIFICATION SHEET

TAG \_\_\_\_\_

Dimensional Data (inches and [ mm ]) are Subject to Manufacturing Tolerances and Change Without Notice



A Pipe Size In. [mm]	Approx. Wt. Lbs. [kg]	Grate Open Area Sq. In. [cm <sup>2</sup> ]
2, 3, 4 [51, 76, 102]	65 [29]	34 [219]
5, 6 [127, 152]		

### ENGINEERING SPECIFICATION: ZURN Z627-103

Adjustable isolation deck drain, Dura-Coated cast iron upper and lower bodies, clamp collar, neoprene flex gasket and isolation nipple, upper body with rotatable light duty square Cast Iron Promenade Frame, Frame Clamps, and light duty heel-proof grates.

### OPTIONS (Check/specify appropriate options)

#### PIPE SIZE

- 2, 3, 4, 5, 6 [51, 76, 102, 127, 152]
- 2, 3, 4, 6 [51, 76, 102, 152]
- 2, 3, 4, 5, 6 [51, 76, 102, 127, 152]
- 2, 3, 4, 5, 6 [51, 76, 102, 127, 152]
- 2, 3, 4 [51, 76, 102]

#### (Specify size/type) OUTLET

- \_\_\_ IC Inside Caulk
- \_\_\_ IG Inside Gasket
- \_\_\_ IP Threaded
- \_\_\_ NH No-Hub
- \_\_\_ NL Neo-Loc

#### 'E' BODY HT. DIM.

- 5-1/4 [133]
- 5-1/4 [133]
- 3-3/4 [95]
- 5-1/4 [133]
- 4-5/8 [117]

#### PREFIXES

- \_\_\_ Z D.C.C.I. Body and Top\*
- \_\_\_ ZB D.C.C.I. Body w/Polished Bronze Top (Add 3/16 [5] to 1-3/8 [35] - 3-5/8 [92] dim. & 3/4 [19] to 9 [229] dim.)
- \_\_\_ ZN D.C.C.I. Body w/Polished Nickel Bronze Top (Add 3/16 [5] to 1-3/8 [35] - 3-5/8 [92] dim. & 3/4 [19] to 9 [229] dim.)

#### SUFFIXES

- \_\_\_ -C Underdeck Clamp (Lower Body)
- \_\_\_ -CC Clamp Collar (Upper Body)
- \_\_\_ -G Galvanized Cast Iron
- \_\_\_ -R Sump Receiver (Lower Body)
- \_\_\_ -TS Top Secured with Slotted Screws
- \_\_\_ -VP Vandal-Proof Secured Top
- \_\_\_ -Y Sediment Bucket (Upper Body)

\* Regularly furnished unless otherwise specified.