



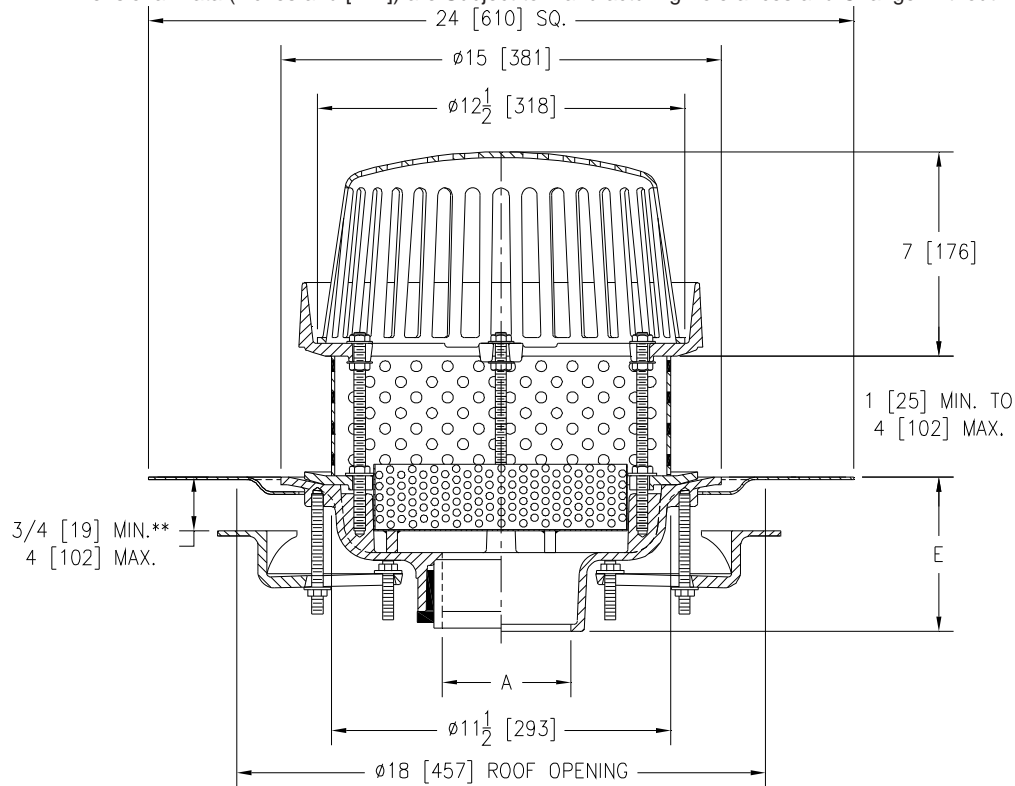
Z100-180

15 [381] DIAMETER MAIN ROOF DRAIN HIGH ALUMINUM DOME W/
UNDERDECK CLAMP, ROOF SUMP RECEIVER, PERFORATED
EXTENSION, 2 [51] HIGH WATER DAM AND SEDIMENT BUCKET

SPECIFICATION SHEET

TAG _____

Dimensional Data (inches and [mm]) are Subject to Manufacturing Tolerances and Change Without Notice



A Pipe Size In.	Approx. Wt. Lbs. [kg]	Dome Open Area Sq. In. [cm ²]
2,3,4 [51,76,102]	26 [12]	148 [955]
5,6 [127,152]	27 [12]	
8 [203]	28 [13]	

ENGINEERING SPECIFICATION: ZURN Z100-180

15 [381] Diameter roof drain. Dura-Coated cast iron body with combination membrane flashing clamp/gravel guard, 6 3/4 [171] high aluminum dome, roof sump receiver, perforated extension, 2 [51] high water dam and sediment bucket.

PIPE SIZE

2 thru 6,8 [51 thru 152,203]
2 thru 6,8 [51 thru 152,203]
2 thru 6,8 [51 thru 152,203]
2,3,4 [51,76,102]
6 [152]

(Specify size/type) OUTLET

___ IC Inside Caulk
___ IP Threaded
___ NH No-Hub
___ NL Neo-Loc
___ NL Neo-Loc

E BODY HT. DIM.

5 1/4 [133]
3 3/4 [95]
5 1/4 [133]
4 9/16 [116]
5 7/16 [112]

PREFIXES

___ ZA D.C.C.I. Body with 6 3/4 [171] High Aluminum Dome *

SUFFIXES

___ -AR Acid Resistant Epoxy Coated	___ -TC Neo-Loc Test Cap Gasket
___ -BS Bronze Mesh Screen Over Dome	(2 - 4 [51 - 102] NL Bottom Outlet Only)
___ -DE Deck Extension	___ -VP Vandal-Proof Secured Top
___ -E Static Extension 1 [25] thru 4 [102] (Specify Ht.)	___ -84 Stainless Steel Perforated Gravel Guard
___ -EA Adjustable Extension Assembly	___ -89 2 [51] High External Water Dam
2 1/8 [54] thru 3 1/2 [89]	___ -90 90° Threaded Side Outlet Body
___ -FG Flush Grate (Replaces Dome Strainer)	(2 thru 6 [51 or 152])
___ -G Galvanized Cast Iron	
___ -GD Galvanized Cast Iron Dome (ZC Only)	
___ -HD 6 3/4 [171] High Aluminum Dome Strainer	
(148 Sq. In. [955 cm ²] Open Area)	
___ -SS Stainless Steel Mesh Screen Over Dome	

*REGULARLY FURNISHED UNLESS OTHERWISE SPECIFIED

REV. DATE: 1/11/08 C.N. NO. 97965

DWG. NO. P-15509 PRODUCT NO. Z100-180