



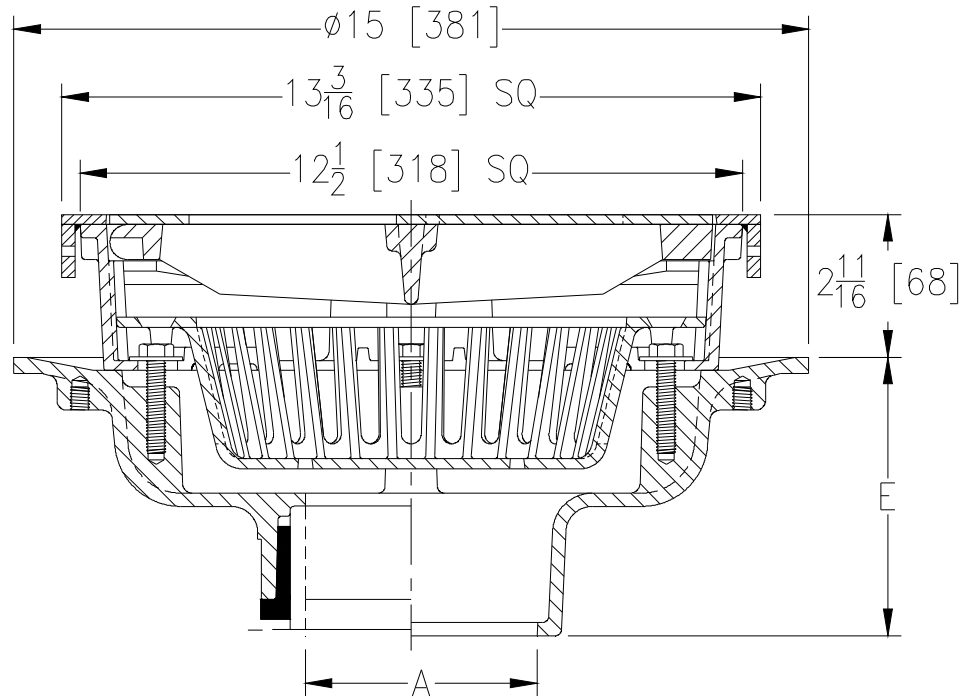
Z610-135

12 [305] HEAVY-DUTY DRAIN W/ STAINLESS STEEL VENEER GRATE

SPECIFICATION SHEET

TAG _____

Dimensional Data (inches and [mm]) are Subject to Manufacturing Tolerances and Change Without Notice



A Pipe Size in Inches [mm]	Approx. Wt. Lbs. [kg]	Grate Open Area Sq. In. [cm ²]
2,3,4,5,6 [51,76,102,127,152]	54 [24]	42 [271]
8,10 [203,254]	56 [25]	

ENGINEERING SPECIFICATION: ZURN Z610-135

12" [305mm] Square top drain, Dura-Coated cast iron body with bottom outlet, seepage pan and combination membrane flashing clamp and frame for heavy-duty cast iron loose slotted grate, with suspended polypropylene sediment bucket, and Stainless Steel Veneer Grate.

OPTIONS (Check/specify appropriate options)

PIPE SIZE

2,3,4,5,6,8,10 [51,76,102,127,152,203,254]
 2,3,4,6 [51,76,102,152]
 2,3,4,5,6,8,10 [51,76,102,127,152,203,254]
 2,3,4,5,6,8,10 [51,76,102,127,152,203,254]
 2,3,4 [51,76,102]

(Specify size/type) OUTLET

___ IC Inside Caulk
 ___ IG Inside Gasket
 ___ IP Threaded
 ___ NH No-Hub
 ___ NL Neo-Loc

'E' BODY HT. DIM.

5-1/4 [133]
 5-1/4 [133]
 3-3/4 [95]
 5-1/4 [133]
 4-5/8 [117]

PREFIXES

___ Z D.C.C.I. Body with Stainless Steel Veneer Top*

SUFFIXES

___ -AR Acid Resistant Epoxy Coated Cast Iron
 ___ -DG Duresist Grate
 ___ -DX Dex-o-tex Flange
 ___ -F 2 [51] High Extension
 ___ -P Trap Primer Connection
 ___ -S Secondary Strainer
 ___ -SS Stainless Steel Mesh Liner for Bucket

___ -TC Neo-Loc Test Cap Gasket
 (2,3,4[51,76,102] NL Bottom Outlet Only)
 ___ -TS Top Secured with Slotted Screws
 ___ -V Backwater Valve (See Z1099)
 ___ -VP Vandal-Proof Secured Top
 ___ -YA Aluminum Sediment Bucket
 ___ -YC Cast Iron Sediment Bucket
 ___ -90 90° Threaded Side Outlet Body

* Regularly furnished unless otherwise specified.