



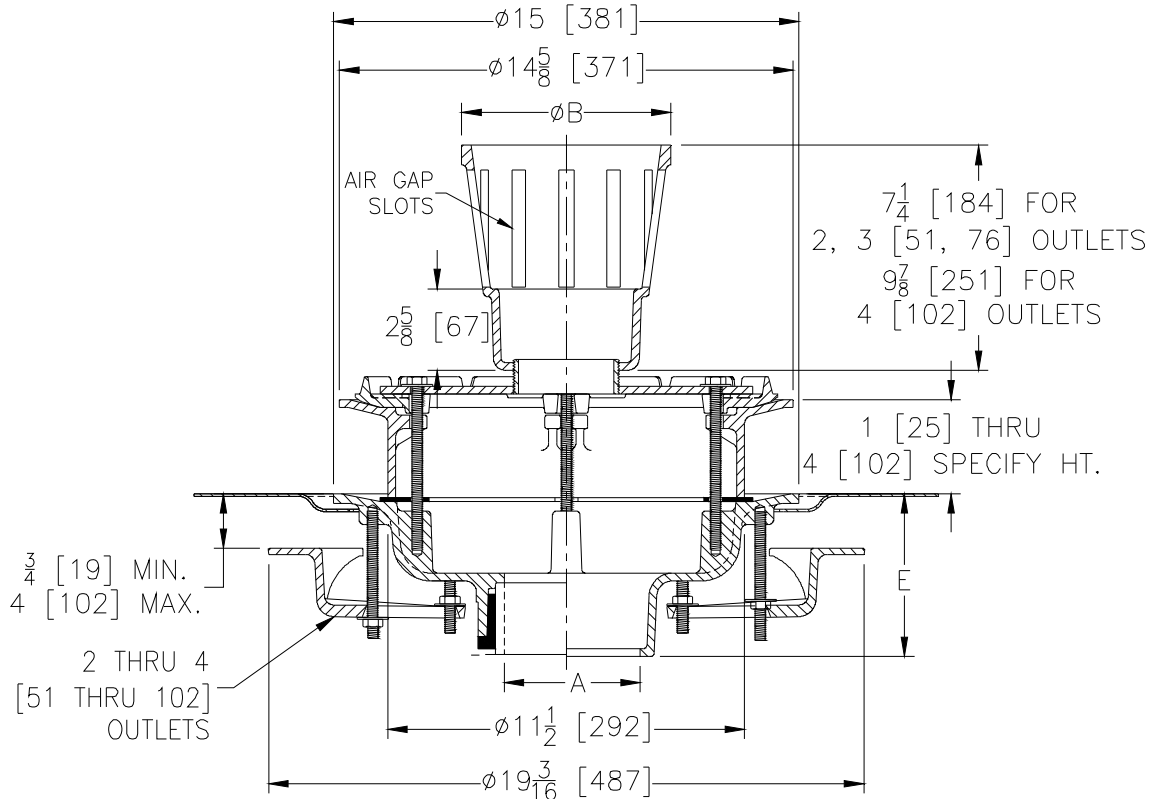
Z100-212

15 [381] DIAMETER MAIN ROOF DRAIN W/ STATIC
EXTENSION, INDIRECT WASTE FUNNEL WITH SLOTS,
ROOF SUMP RECEIVER AND UNDERDECK CLAMP

SPECIFICATION SHEET

TAG _____

Dimensional Data (inches and [mm]) are Subject to Manufacturing Tolerances and Change Without Notice



Dimensions in Inches		Approx. Wt. Lbs. [kg]
A Pipe Size	B	
2,3 [51,76]	6 3/4 [171]	49 [22]
4 [102]	8 5/8 [219]	50 [23]

ENGINEERING SPECIFICATION: ZURN Z100-212

15 [381] Diameter roof drain. Dura-Coated cast iron body with static extension, combination membrane flashing clamp/gravel guard, securing plate and indirect waste funnel with air gap slots, roof sump receiver and underdeck clamp.

PIPE SIZE

2,3,4 [51,76,102]
2,3,4 [51,76,102]
2,3,4 [51,76,102]
2,3,4 [51,76,102]

(Specify size/type) OUTLET

____ IC Inside Caulk
____ IP Threaded
____ NH No-Hub
____ NL Neo-Loc

E BODY HT. DIM.

5 1/4 [133]
3 3/4 [95]
5 1/4 [133]
4 9/16 [116]

PREFIX OPTIONS (Check/specify appropriate prefix)

____ Z D.C.C.I. Body and Funnel*
____ ZRB D.C.C.I. Body with Plain Bronze Funnel

SUFFIX OPTIONS (Check/specify appropriate options)

____ -AR Acid Resistant Epoxy Coated
____ -DB Bottom Dome Strainer
____ -DX Dex-o-Tex Flange
____ -EA Adjustable Extension Assembly 2 1/8 [54] thru 3 1/2 [89]
____ -G Galvanized Cast Iron
____ -SC Secondary Clamp Collar
____ -VP Vandal-Proof Secured Top
____ -84 Stainless Steel Perforated Gravel Guard
____ -85 Stainless Steel Perforated Extension
____ -89 2 [51] High External Water Dam
____ -90 90° Threaded Side Outlet Body

*REGULARLY FURNISHED UNLESS OTHERWISE SPECIFIED

REV. DATE: 10/1/09 C.N. NO. 110268

DWG. NO. P-15771 PRODUCT NO. Z100-212