



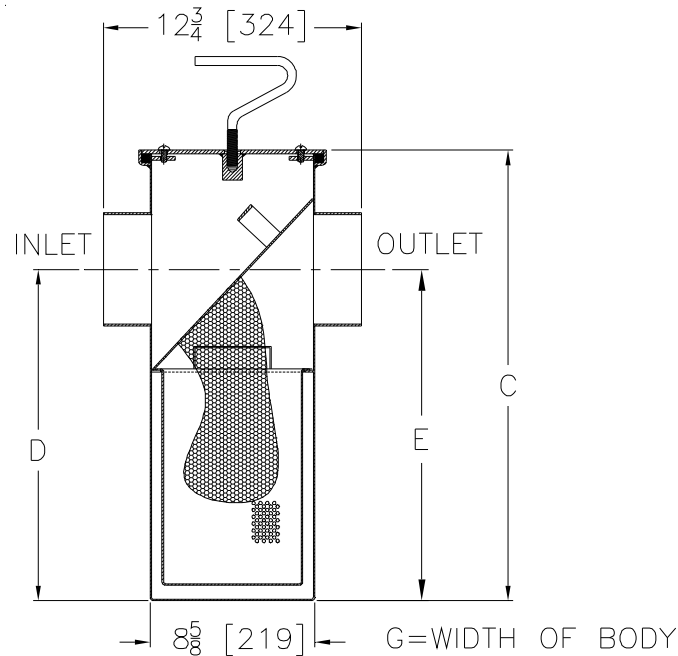
# Z1183-90

## SOLIDS INTERCEPTOR WITH LOW MICRON DISPOSIBLE FILTER BAGS FOR COFFEE GROUNDS & TOP FLUSH FLOOR INSTALLATION

SPECIFICATION SHEET

TAG \_\_\_\_\_

Dimensional Data (inches and [ mm ]) are Subject to Manufacturing Tolerances and Change Without Notice



Size	Inlet/Outlet Size	Flow Rate G.P.M. [L]	Solids Cap. of Basket Cubic Ft. [m <sup>3</sup> ]	Dimensions In Inches [mm]			No. of Filter Bags Per Unit
				C	G	D/E	
100	2 [51]	4 [15]	0.20 [.006]	10 [254]	9-7/8 [251]	7-1/4 [184]	1
200	2 [51]	7 [26]	0.29 [.008]	11-1/8 [283]	11-7/8 [302]	8-1/8 [206]	2
300	3 [76]	10 [38]	0.33 [.009]	11-3/4 [298]	14 [356]	8-1/4 [210]	2
400	3 [76]	15 [57]	0.38 [.011]	13-3/8 [340]	16-3/4 [425]	9-3/8 [238]	2
500	3 [76]	20 [76]	0.66 [.019]	15 [381]	17-1/4 [438]	11-3/4 [298]	2
600	4 [102]	25 [95]	0.79 [.022]	17 [432]	19-15/16 [507]	12-7/16 [316]	3
700	4 [102]	35 [132]	1.17 [.033]	18-3/4 [476]	22-1/2 [572]	14-3/16 [360]	3
800	4 [102]	50 [189]	1.35 [.038]	21-1/2 [546]	22-1/2 [572]	16 [406]	3
900	4 [102]	75 [284]	1.61 [.046]	22-3/4 [578]	22-1/2 [572]	18-1/2 [470]	3

**ENGINEERING SPECIFICATION: ZURN Z1183-90**

Stainless steel, solids interceptor, for on floor recessed installation with low micron replaceable filter bags, retainer plate, extension, top flush lid, and removable sediment basket. Size to be used with corresponding Z1170 grease Interceptor.

**PREFIXES**

- \_\_\_\_\_ Z Acid Resistant Coated Fabricated Steel
- \_\_\_\_\_ ZS Type 304 Fabricated Stainless Steel\*

**SUFFIXES**

- \_\_\_\_\_ -XB Extra Solids Interceptor Basket.
- \_\_\_\_\_ -XXF Extra Supply of 30 Low Micron Solids Filter Bags.

**CAUTION:** Solids interceptor must be maintained periodically in order to ensure proper operation of the system. Cleaning schedule based on usage.

Note: Low Micron Filters May Reduce Flow In Some Conditions  
\* Regularly furnished unless otherwise specified.