



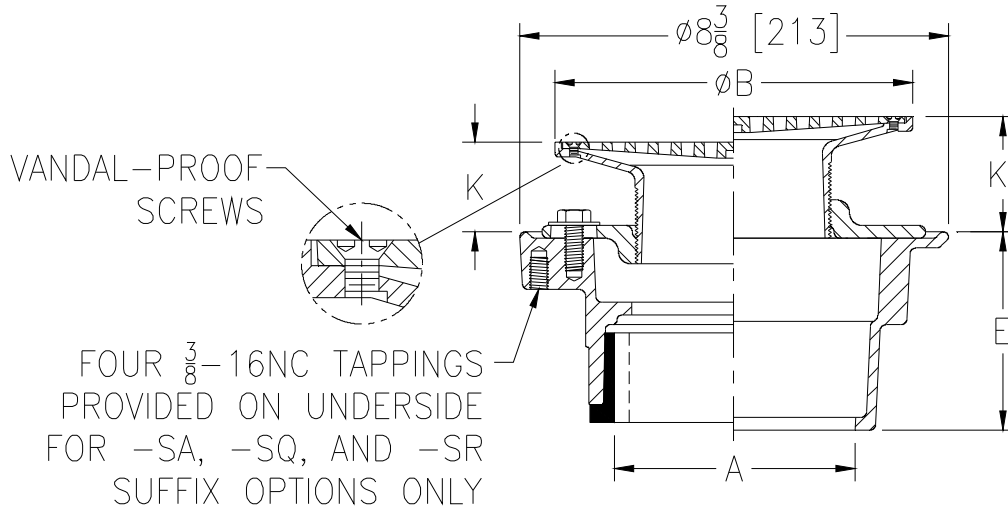
Z415B-VP

FLOOR AND SHOWER DRAIN W/ "TYPE B" STRAINER AND VANDAL PROOF SCREWS

SPECIFICATION SHEET

TAG _____

Dimensional Data (inches and [mm]) are Subject to Manufacturing Tolerances and Change Without Notice



Dimensions in inches [mm]						Approx Wt. lbs [kg]	Strainer Open Area in ² [cm ²]
A Pipe Size	B Strainer Dia.	K		K'			
		Min	Max	Min	Max		
2,3 [51,76]	5 [127]	1 [25]	1-1/2 [38]	1/3/32 [28]	2-1/4 [57]	11 [5]	6-1/4 [40]
2,3,4 [51,76,102]	6 [152]		1-25/32 [45]	1-13/32 [45]	2-17/32 [64]	13 [6]	9 [58]
2,3,4 [51,76,102]	7 [178]		1-23/32 [44]	2-1/8 [54]	2-7/8 [73]	14 [6]	12 [77]
3,4 [76,102]	8 [203]	1-5/32 [30]	1-3/4 [44]			16 [7]	19 [123]
6 [152]		1-7/16 [37]	2-1/2 [64]	2 [51]	18 [8]		
6 [152]	10 [254]	1-7/16 [37]	2-1/2 [64]	2 [51]	3-1/4 [83]	22 [10]	23 [148]

ENGINEERING SPECIFICATION: ZURN ZN415B

Floor and shower drain, Dura-Coated cast iron body with bottom outlet, combination invertible membrane clamp and adjustable collar with seepage slots and "TYPE B" polished nickel bronze, light-duty strainer with vandal-proof screws.

OPTIONS (Check/specify appropriate options)

PIPE SIZE

- 2,3,4 [51,76,102]
- 2 [51]
- 3 [76]
- 4 [102]
- 6 [152]
- 2,3,4 [51,76,102]
- 2,3,4 [51,76,102]

(Specify size/type) OUTLET

- _____ IC Inside Caulk
- _____ IP Threaded
- _____ IP Threaded
- _____ IP Threaded
- _____ IP Threaded
- _____ NH No-Hub
- _____ NL Neo-Loc

E BODY HT. DIM.

- 3-7/8 [98]
- 2-3/8 [60]
- 2-5/8 [67]
- 2-7/8 [73]
- 2-3/4 [70]
- 3-7/8 [98]
- 4-5/8 [117]

PREFIXES

- _____ ZB D.C.C.I. Body with Polished Bronze Top
- _____ ZN D.C.C.I. Body with Polished Nickel Bronze Top*

SUFFIXES

- | | |
|---|---|
| _____ -AR Acid Resistant Epoxy Coated Cast Iron | _____ -SA Stabilizer Assembly (See Z1035) |
| _____ -CP Chrome-Plated Bronze Top | _____ -SQ Stabilizer Q-Deck (See Z1035-Q) |
| _____ -G Galvanized Cast Iron | _____ -SR Stabilizer Ring (See Z400-U) |
| _____ -HD Heavy-Duty Slotted Grate (ZN 5,6 [127,152] only) | _____ -TC Neo-Loc Test Cap Gasket |
| _____ -OF Oval Funnel (6,7,8,10 [152,178,203,254] Strainers Only) | _____ (2,3,4 [51,76,102] NL Bottom Outlet Only) |
| _____ -P Trap Primer Connection | _____ -U 1 - 3 [25 - 76] High Extension Adapter |
| _____ (Specify 1/2 [13] or 3/4 [19]) | _____ -V Backwater Valve |
| _____ -PC Protective Cover | _____ -Y Sediment Bucket |
| | _____ -4 4 [102] Diameter Funnel |
| | _____ -90 90° Threaded Side Outlet Body |

* Regularly furnished unless otherwise specified.