



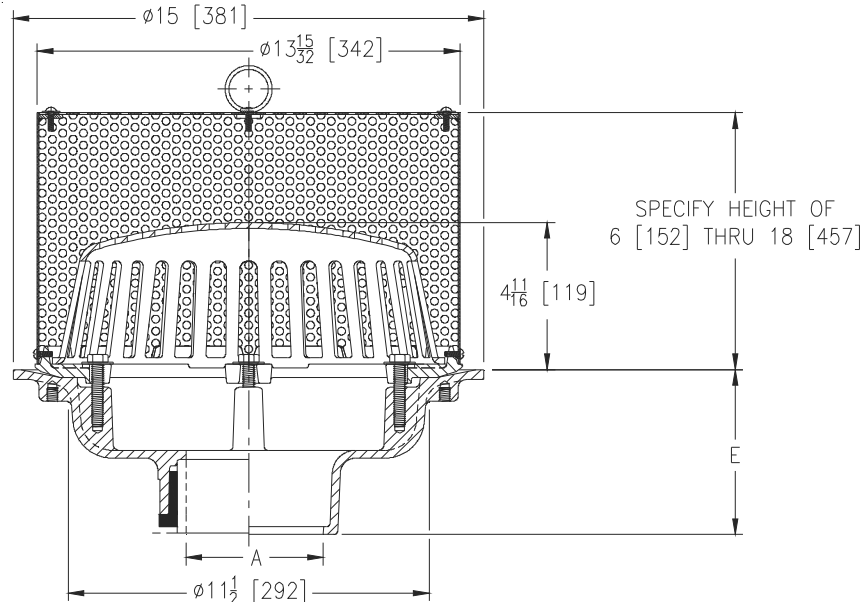
# Z110-PS=\_\_\_\_\_

15 [381] DIAMETER MAIN GREEN ROOF DRAIN W/  
PERFORATED SCREEN ASSEMBLY AND REMOVABLE  
COVER W/ LIFT HANDLE

SPECIFICATION SHEET

TAG \_\_\_\_\_

Dimensional Data (inches and [ mm ]) are Subject to Manufacturing Tolerances and Change Without Notice



A Pipe Size In [mm]	Approx. Wt. Lbs. [kg]	Dome Open Area Sq. In. [cm <sup>2</sup> ]
2,3,4 [51,76,102]	30 [14]	103 [665]
6 [152]	32 [15]	
8 [203]	33 [15]	

**ENGINEERING SPECIFICATION:** ZURN Z110-PS\_\_\_\_  
15" [381 mm] Diameter green roof drain. Dura-Coated cast iron body with combination membrane flashing clamp/gravel guard and low silhouette Poly-Dome. Complete with secured type 304 (CF8) stainless steel perforated screen assembly with secured removable access cover with lift handle.

**OPTIONS** (Check/specify appropriate options)

**PIPE SIZE**

- 3, 4, 6 [76, 102, 152]
- 3, 4, 6, 8 [76, 102, 152, 203]
- 2, 3, 4, 6, 8 [51, 76, 102, 152, 203]
- 2, 3, 4 [51, 76, 102]
- 6 [152]

(Specify size/type) **OUTLET**

- \_\_\_\_\_ IC Inside Caulk
- \_\_\_\_\_ IP Threaded
- \_\_\_\_\_ NH No-Hub
- \_\_\_\_\_ NL Neo-Loc
- \_\_\_\_\_ NL Neo-Loc

**'E' BODY HT. DIM.**

- 5-1/4 [133]
- 3-3/4 [95]
- 5-1/4 [133]
- 4-9/16 [116]
- 5-7/16 [112]

**PREFIXES**

- \_\_\_\_\_ Z D.C.C.I. Body with Poly-Dome\*
- \_\_\_\_\_ ZA D.C.C.I. Body with Aluminum Dome
- \_\_\_\_\_ ZC D.C.C.I. Body with Cast Iron Dome

**SUFFIXES**

- |   |  |
|---|--|
| _____ -AC Angular Underdeck Clamp                                     | _____ -R Roof Sump Receiver  |
| _____ -AR Acid Resistant Epoxy Coated                                 | _____ -ST Dome with Solid Top (ZA, ZC Only)                                    |
| _____ -C Underdeck Clamp  | _____ -TC Neo-Loc Test Cap Gasket<br>(2,3,4 [51,76,102] NL Bottom Outlet Only) |
| _____ -DE Deck Extension  | _____ -VP Vandal-Proof Secured Screen Cover                                    |
| _____ -DP Top-Set® Deck Plate (Replaces both the -C and -R)           | _____ -W2 2 [51] Internal Water Dam  |
| _____ -E Static Extension 1 [25] thru 4 [102] (Specify Ht.)           | _____ -W3 3 [76] Internal Water Dam  |
| _____ -EA Adjustable Extension Assembly<br>2-1/8 [54] thru 3-1/2 [89] | _____ -W4 4 [102] Internal Water Dam   |
| _____ -EB Top-Set® Adjustable Extension Assembly                      | _____ -85 Stainless Steel Perforated Extension                                 |
| _____ -G Galvanized Cast Iron   |  |

\* Regularly furnished unless otherwise specified.