

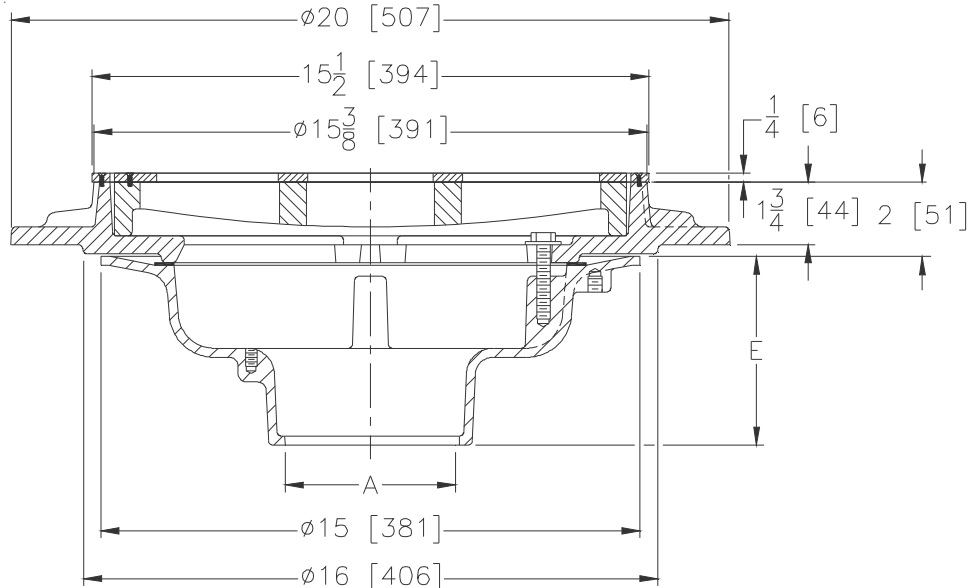


Z536-80

SPECIFICATION SHEET

15 [381] DIAMETER HEAVY-DUTY PARKING DECK DRAIN W/ SUPPORT FLANGE & STAINLESS STEEL VENEER TAG _____

Dimensional Data (inches and [mm]) are Subject to Manufacturing Tolerances and Change Without Notice



A- Pipe Size In.	Approx. Wt. Lbs. [kg]	Grate Open Area Sq. In. [cm ²]
2-3-4-5-6 [51-76-102-127-152]	95 [43]	56 [361]
8-10 [203-254]	97 [44]	

ENGINEERING SPECIFICATION: ZURN ZS536-80
 15 [381] Diameter Parking Deck Drain, Dura-Coated cast iron body with bottom outlet, heavy-duty gasketed drain support flange, heavy-duty slotted grate, and stainless steel veneer.

OPTIONS (Check/specify appropriate options)

PIPE SIZE	(Specify size/type)	OUTLET	'E' BODY HT. DIM.
2 thru 6-8-10 [51 thru 152-203-254]	___	IC Inside Caulk	5-1/4 [133]
2 thru 4-6 [51 thru 102-152]	___	IG Inside Gasket	5-1/4 [133]
2 thru 6-8-10 [51 thru 152-203-254]	___	IP Threaded	3-3/4 [95]
2 thru 6-8-10 [51 thru 152-203-254]	___	NH No-Hub	5-1/4 [133]
2 thru 4 [51 thru 102]	___	NL Neo-Loc	4-5/8 [117]

PREFIXES

___ ZS D.C.C.I. Body with Polished Stainless Steel Top*.

SUFFIXES

- ___ -C Underdeck Clamp
- ___ -DG Duresist Grate
- ___ -G Galvanized Cast Iron
- ___ -SA Stabilizer Assembly (See Z1036)
- ___ -TC Neo-Loc Test Cap Gasket
(2 [51]-4 [102] NL Bottom Outlet Only)
- ___ -VP Vandal-Proof Secured Top
- ___ -XJ Vertical Expansion Joint (See Z190)
(Use with IP Type Outlet)
- ___ -Y Sediment Bucket
- ___ -24 24 [610] Diameter Flange

* Regularly furnished unless otherwise specified.